

## S110 Surface mounted meter PICOFLUX

Connectable –  
with integrated pulse output

- Single jet dry dial meter EP
- Integrated potential-free pulse output
- Cold water up to 30 °C, hot water up to 90 °C
- Nominal flow  $Q_3$  2.5 and 4
- Meter length 80, 110, 130 mm

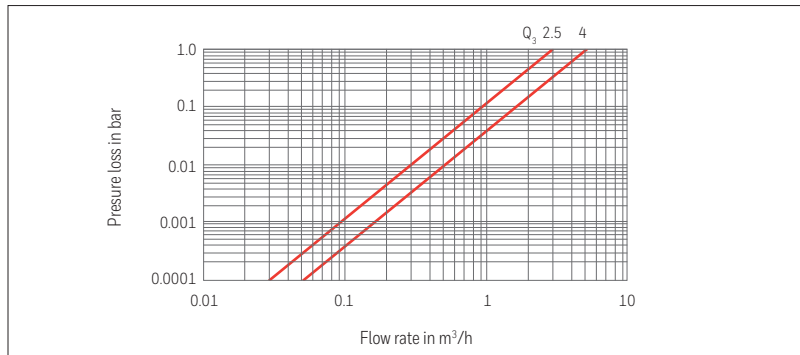
EU-type examination certification  
DE-11-MI001-PTB009

Meter type	EP							
Meter size / Continuous flow rate	$Q_3$	m <sup>3</sup> /h	2.5	2.5	2.5	2.5	2.5	4
Nominal size	DN	mm	15		20	15	20	
	DN	inches	1/2		3/4	1/2	3/4	
Meter length		mm	80	110	110	130	130	130
Meter connection thread		inches	G 3/4 B	G 3/4 B	G 1 B	G 3/4 B	G 1 B	G 1 B

### Performance characteristics

Overload flow rate	$Q_4$	m <sup>3</sup> /h	3.125		5
Transitional flow rate	$Q_2$	l/h	100		160
Minimum flow rate	$Q_1$	l/h	62.5		100
Starting flow		l/h	8	7	10
Measuring range (MID)	$Q_3/Q_1$	H/V	R 40		
Continuous flow rate	$Q_3$	l/h	2,500		4,000
Temperature class	MAT	°C	30; 30/90		
Pressure rating	MAP	bar	16		
Flow capacity at 1 bar pressure loss		m <sup>3</sup> /h	3.3		5.2
Mechanical class			M1		
Min. straight length of inlet/outlet pipe			U0/D0		
Climatic ambient conditions		°C	5 to 70		
Protection class	IP		54		
Accuracy class cold water			±2%/±5%		
Accuracy class hot water			±3%/±5%		
Magnetic protection			EN 14154-3		

# S110 Surface mounted meter PICOFLUX Technical data



Meter type	EP						
Meter size / continuous flow rate	Q <sub>3</sub> m <sup>3</sup> /h	2.5	2.5	2.5	2.5	2.5	4

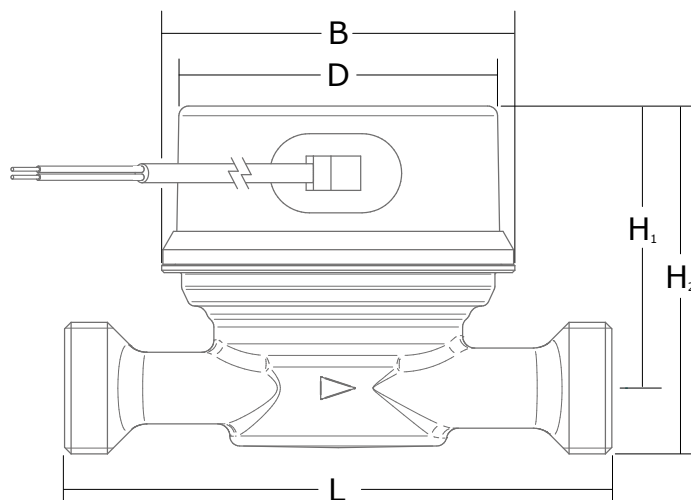
Dimensions							
Meter connection thread	inches	G 3/4 B	G 3/4 B	G 1 B	G 3/4 B	G 1 B	G 1 B
L Length	mm	80	110	110	130	130	130
B Width	mm	71					
D Diameter register cap	mm	64					
H <sub>1</sub> Centerline height	mm	57.5					
H <sub>2</sub> Overall height	mm	71					74.1
Weight	kg	0.3					0.4

## Integrated pulse output

Pulse value	1, 10, 100 l/Imp. (Standard)
Sensor	Reed switch, potential-free, closing contact
Connection	Fixed wire, exit at the side, 1,5 m
Contact load	max. 30 V DC, 50 mA, max 5 W

## Dimensional drawing

EP



For further information visit:

[www.elstermetering.com](http://www.elstermetering.com)

ELSTER Messtechnik GmbH

Otto-Hahn-Ring 2-4

64653 Lorsch, Germany

T +49 6251 59301 0

F +49 6251 59301 81

E [vertrieb.wasser@honeywell.com](mailto:vertrieb.wasser@honeywell.com)



S110 D 02.34e / 03.17

Contents subject to change without notice

**Honeywell**  
THE POWER OF **CONNECTED**