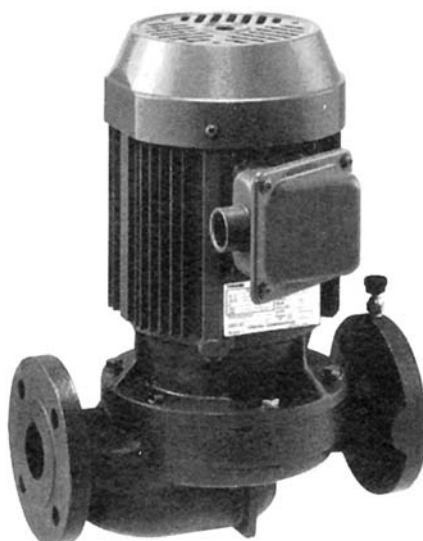


VERTICAL IN-LINE CENTRIFUGAL PUMPS



APPLICATIONS

- Water supply
- Hot, cold water circulation
- Cooling tower
- Hot water supply

FEATURES

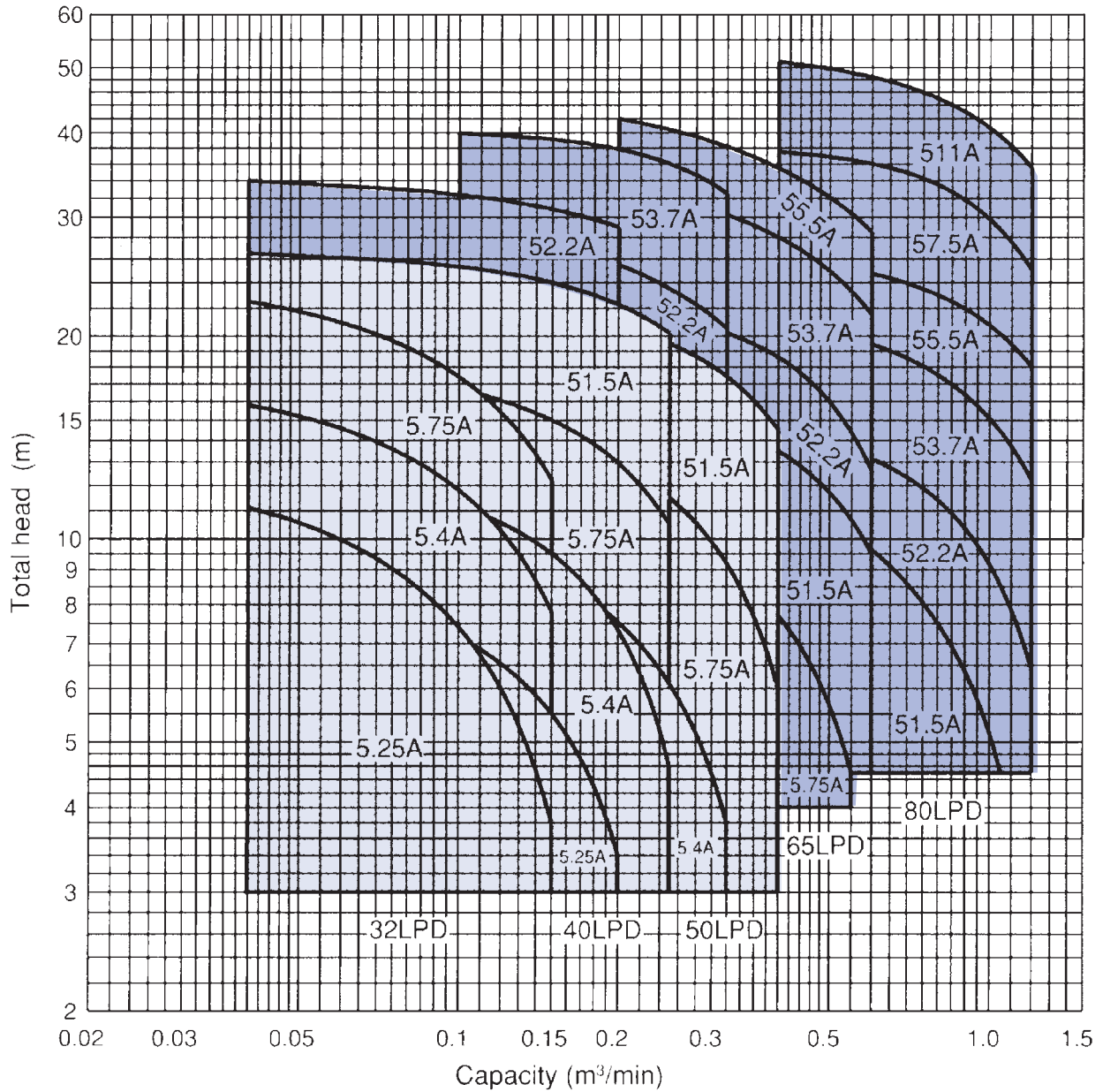
- The two-pole and high speed system makes the pump compact, light weight and minimise installation space.
- No floor space is required for installation.
- High allowable temperature (Max. 100°C) and high suction pressure (Max. 0.69MPa) are available.
- Sealed ball bearing eliminates need of lubrication.
- Mechanical seal facilitates maintenance.

SPECIFICATION

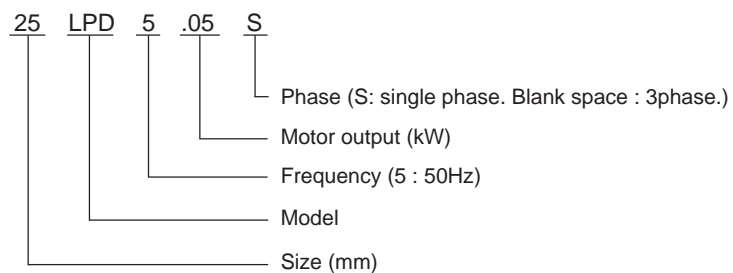
	32~80LPD
Liquid	Fresh water
Temperature	0~100°C
Re.NPSH	Below 4m Except 80LPD 50Hz...Below 4.5m
Max. Suction Pressure	$1.0\text{MPa} - \frac{\text{Shut off head}}{0.098\text{MPa}}$ (10.2kgf/cm ²) (10kgf/cm ²) Max. 0.69MPa(7kgf/cm ²)
Construction Impeller Shaft seal Motor bearing	Enclosed Mechanical seal Sealed ball
Pipe connection	JIS 10K Flange
Material Casing Impeller	Cast iron 304 Stainless steel ...50Hz: Size 50 & below with output 1.5kW & below Bronze ...Except above model 304 stainless steel
Shaft	SUS 304 : (32-50 LPD) SUS 420 for other
Motor	Totally Enclosed Fan Cooled

DIMENSION

SELECTION CHART : 50 Hz (Synchronous speed : 3000 min⁻¹)

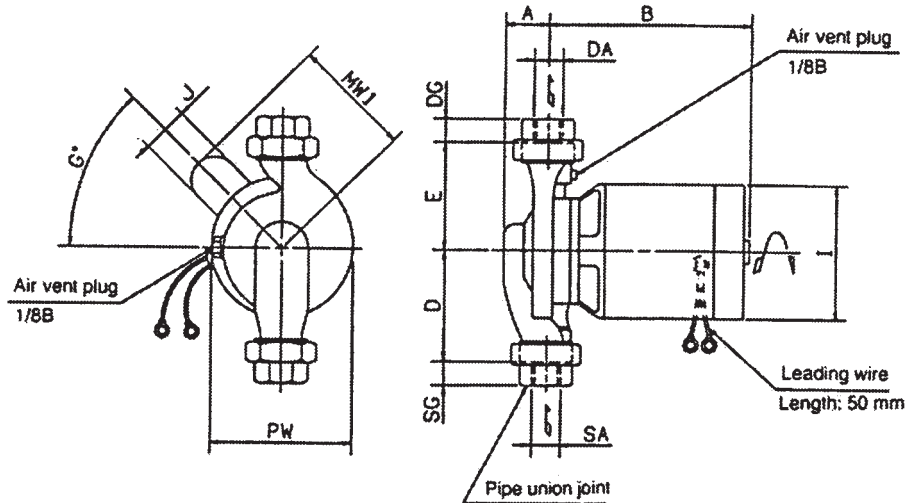


SYMBOLS

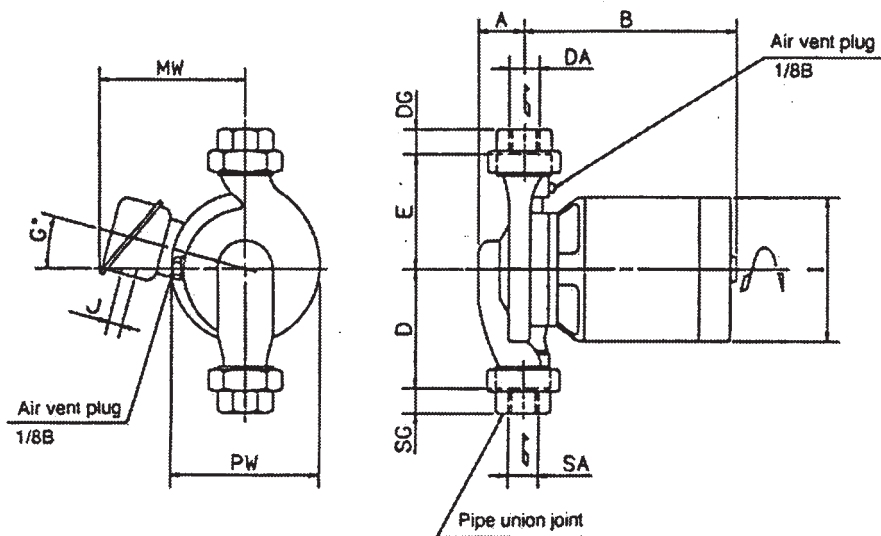


DIMENSION

25LPD : With single phase motor



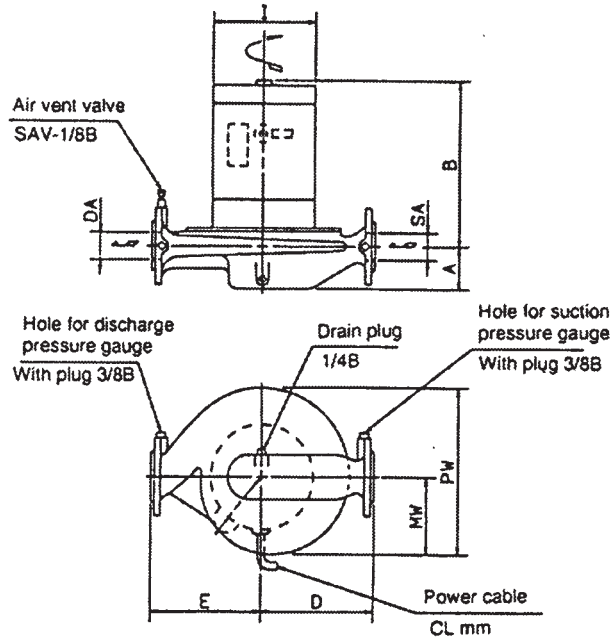
25LPD : With 3 phase motor



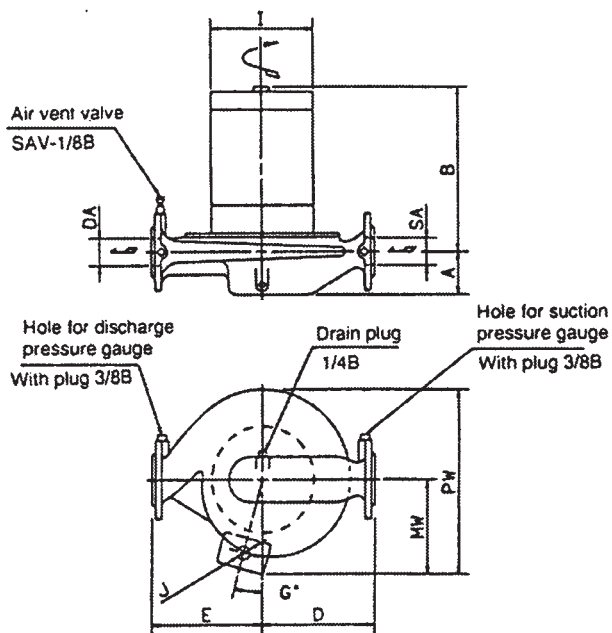
Size SA DA	Model	Out- put kW	Phase	Pump and motor												Weight kg
				A	B	D	E	I	PW	MW1	MW	J	G	SG	DG	
25	25LPD5.05S	0.05	Single phase	51	179	100	100	128	127	108	-	45	45	25	25	10
	25LPD5.08S	0.08		51	179	100	100	128	127	108	-	45	45	25	25	10
	25LPD5.15S	0.15		51	217	120	120	142	160	110	-	40	45	25	25	13
	25LPD5.25S	0.25		51	217	120	120	142	160	115	-	45	45	25	25	14
25	25LPD5.15	0.15	3 phase	51	217	120	120	142	160	-	140	23	15	25	25	13

DIMENSION

32-50LPD : With single phase motor



32-80LPD : With 3 phase motor



Size SA DA	Model	Out- put kW	Phase	Pump and motor								Weight kg
				A	B	D	E	I	PW	MW	CL	
32	32LPD5.25S	0.25	Single phase	68	284	140	140	130	196	95	200	19
	32LPD5.4S	0.4		68	309	140	140	130	19	95	200	21
40	40LPD5.25S	0.25	Single phase	72	284	155	145	130	200	95	200	20
	40LPD5.4S	0.4		72	309	155	145	130	200	95	200	22
50	50LPD5.4S	0.4	Single phase	79	319	160	150	130	207	95	200	23

DIMENSION

Units : mm

Size SA DA	Model	Out- put kW	Phase	Pump and motor									Weight kg
				A	B	D	E	I	PW	MW	G	J	
32	32LPD5.4	0.4	3 phase	68	243	140	140	133	236	135	15	22	19
				68	243	140	140	133	236	135	15	22	20
				68	269	140	140	170	246	145	15	22	23
40	40LPD5.25	0.25	3 phase	72	143	155	145	133	240	135	15	22	20
	40LPD5.4	0.4		72	243	155	145	133	240	135	15	22	21
	40LPD5.75	0.75		72	269	155	145	170	250	145	15	22	24
	40LPD51.5	1.5		72	317	155	145	190	258	153	15	27	29
	40LPD52.2	2.2		87	353	180	160	190	264	153	15	27	37
	50LPD5.4	0.4		79	253	160	150	133	247	135	15	22	23
50	50LPD5.75	0.75	3 phase	79	279	160	150	170	257	145	15	22	26
	50LPD51.5	1.5		79	327	160	150	190	265	153	15	27	31
	50LPD52.2	2.2		83	360	160	150	190	262	153	15	27	37
	50LPD53.7	3.7		95	413	175	165	222	303	183	11	27	59
65	65LPD5.75	0.75	3 phase	90	323	175	165	170	264	145	15	22	32
	65LPD51.5	1.5		90	36	175	165	190	272	153	15	27	37
	65LPD52.2	2.2		90	377	175	165	190	272	153	15	27	39
	65LPD53.7	3.7		95	421	185	185	222	299	183	11	27	60
	65LPD55.5	5.5		95	456	190	180	268	350	215	-	35	85
80	80LPD51.5	1.5	3 phase	110	353	200	190	190	273	153	15	27	40
	80LPD52.2	2.2		110	367	200	190	190	273	153	15	27	40
	80LPD53.7	3.7		110	426	200	190	222	306	183	11	27	63
	80LPD55.5	5.5		110	461	200	190	268	338	215	-	35	83
	80LPD57.5	7.5		110	461	220	210	268	350	215	-	35	90
	80LPD511	11		110	589	220	210	320	429	282	-	52	130