

VERTICAL ACID/ALKALINE RESISTANT PUMP





KD series
Motor : 1HP~10HP



KPT series
Motor : 2HP~5HP

VERTICAL ACID/ALKALINE RESISTANT PUMP

ZIYI Electrical Engineering Co, Ltd, is an expert in design, and manufacturing of a wide variety of acid/alkaline, and chemical resistant pump. Based on the years of total dedication to the research of pump performance and chemical composition, in incorporating with the extensive experience and theoretical basis, enabled ZIYI pumps to be a new standard. The outstanding engineering capability from ZIYI will offer the innovative and dependable pumps to meet your requirements.

CHEMICAL VAPOR AND DRY VAPOR SEAL

When the motor is operating, the lid of the vapor seal is forced open by centrifugal force, thus no friction results. Once the motor stops, the lid bounces back to completely stop any leakage of chemical vapor. Moreover, the oil seal, which is located above the vapor seal, can protect the motor and bearing against chemical corrosion and can prolong the life of the motor and pump.



KP series
Motor : 1/2HP~2HP



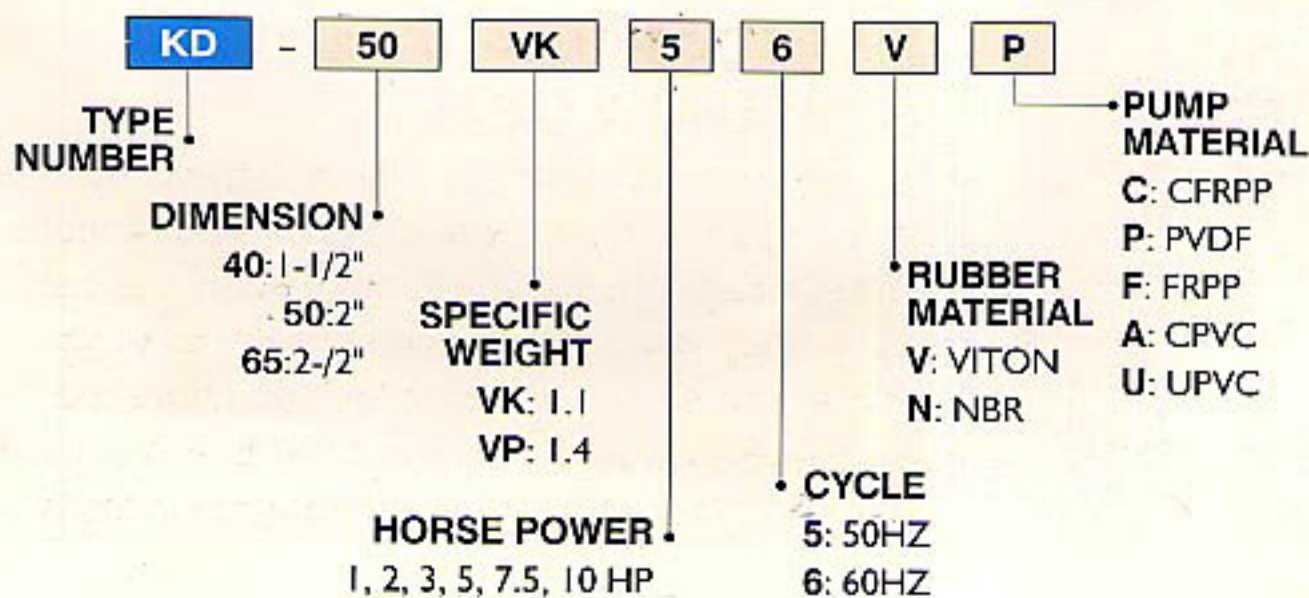
KP series
Motor : 1/3HP



KP series
Motor : 1/4HP

Introduction to the model :

IN CE PEDING
IN ISO 9002 PEDING



NEW TECHNOLOGICAL THEORY, MANUFACTURING OUTSTANDING PUMPS.

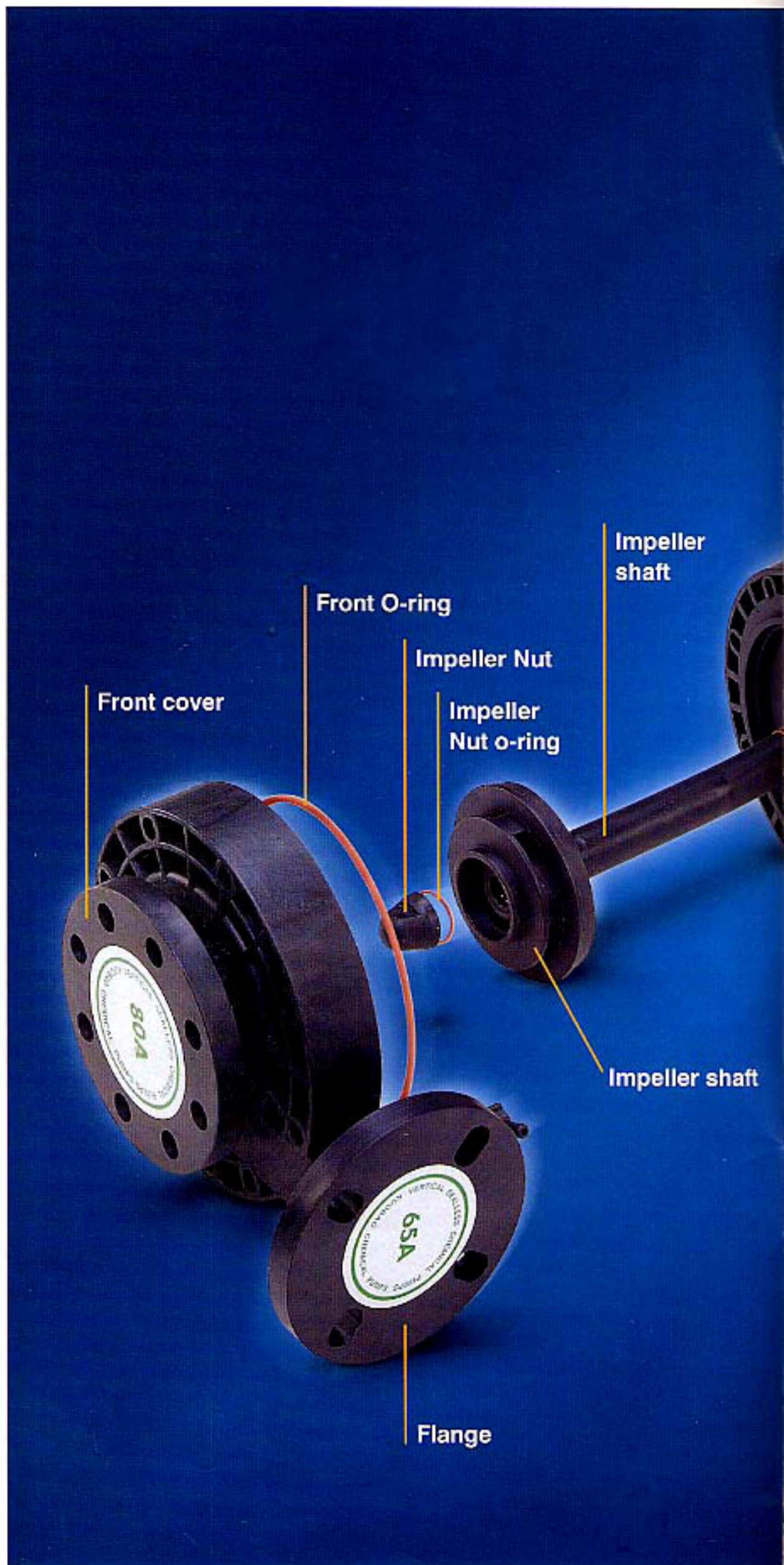
NO SEAL STRUCTURE

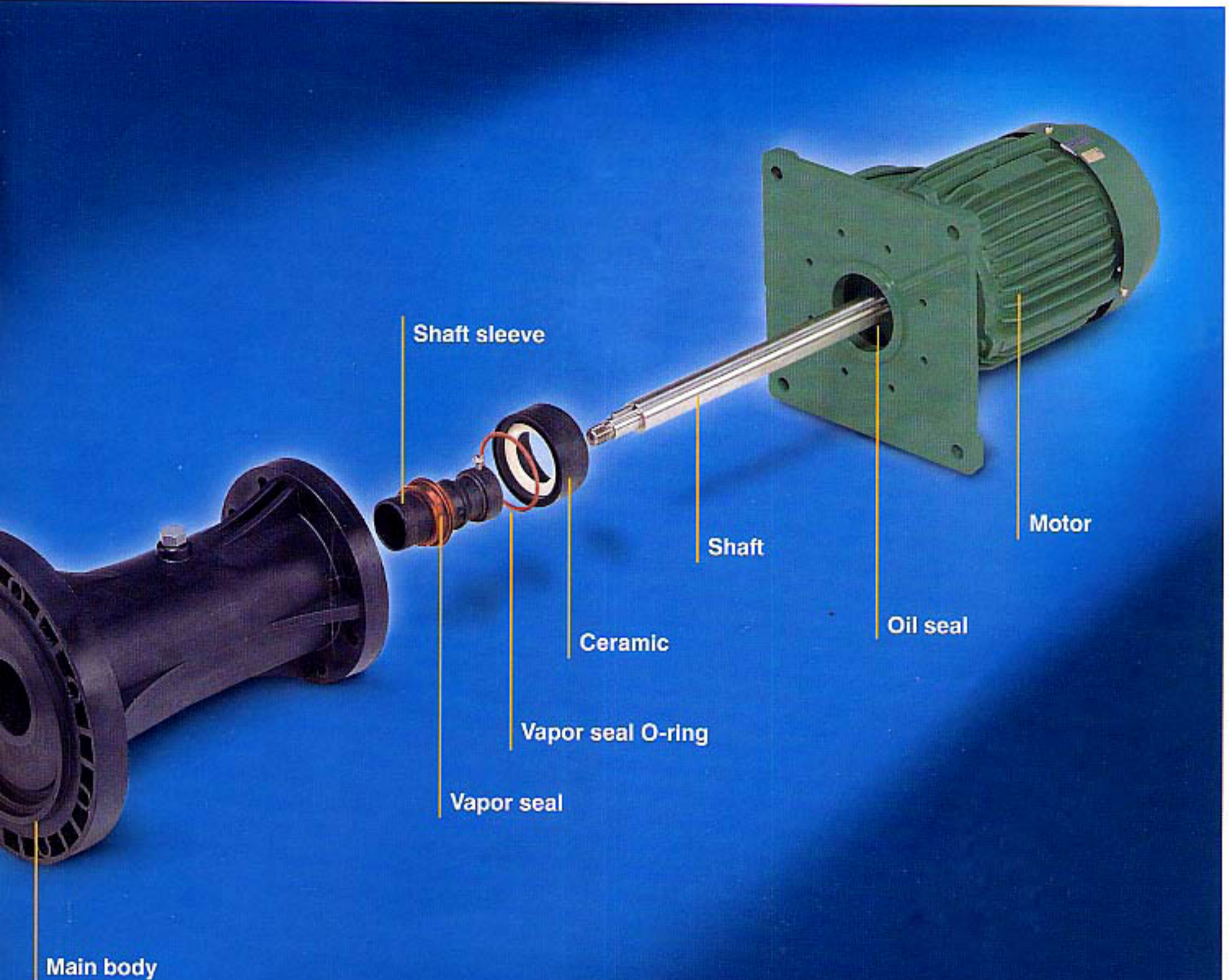
- 1.The NO-SEAL design allows no friction when the pumps are working, so dry running or chemical liquid with particles will not cause malfunction of the pumps.
- 2.Because of the impeller specially designed, it balances the inside pressure, sealing the liquid completely, And also, the special features of the two-layered impeller control and reduce the air and fluid intake, helping the pump function smoothly.
- 3.The impellers are specially designed to prevent air from getting into the pumps to ensure efficient work and high performance.

LEAST MIXTURE OF AIR, LONGER HEAD (KD series)

Considering of gas-sealed problem of before NO-SEAL pump, we now use new design-DRY VAPOR SEAL to solve it.

- 1.The impellers are specially designed to reduce the friction.
- 2.Because of the least mixture of air, it can increase the pump stability performance and transport high heat liquid.



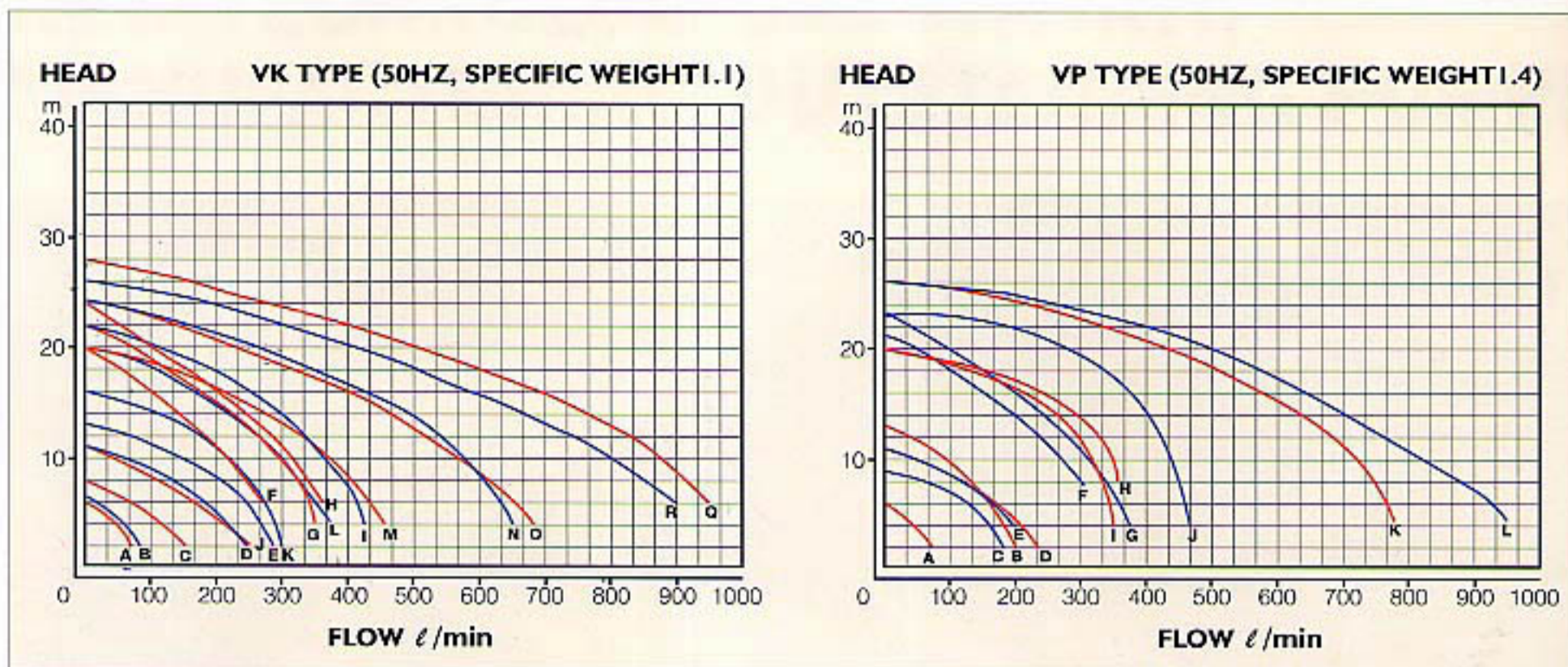


■ HIGH CORROSION AND HEAT RESISTANT

Our pumps are manufactured from the five materials (Carbon Fibre PP, CFRPP, UPVC, CPVC and PVDF) to ensure resistance to high heat and corrosion.

Operating Temperature Range	CFRPP	0°C-85°C
	PVDF	-20°C-95°C

PERFORMANCE CURVE CHART :



VK TYPE 50Hz

SPECIFIC WEIGHT 1.1

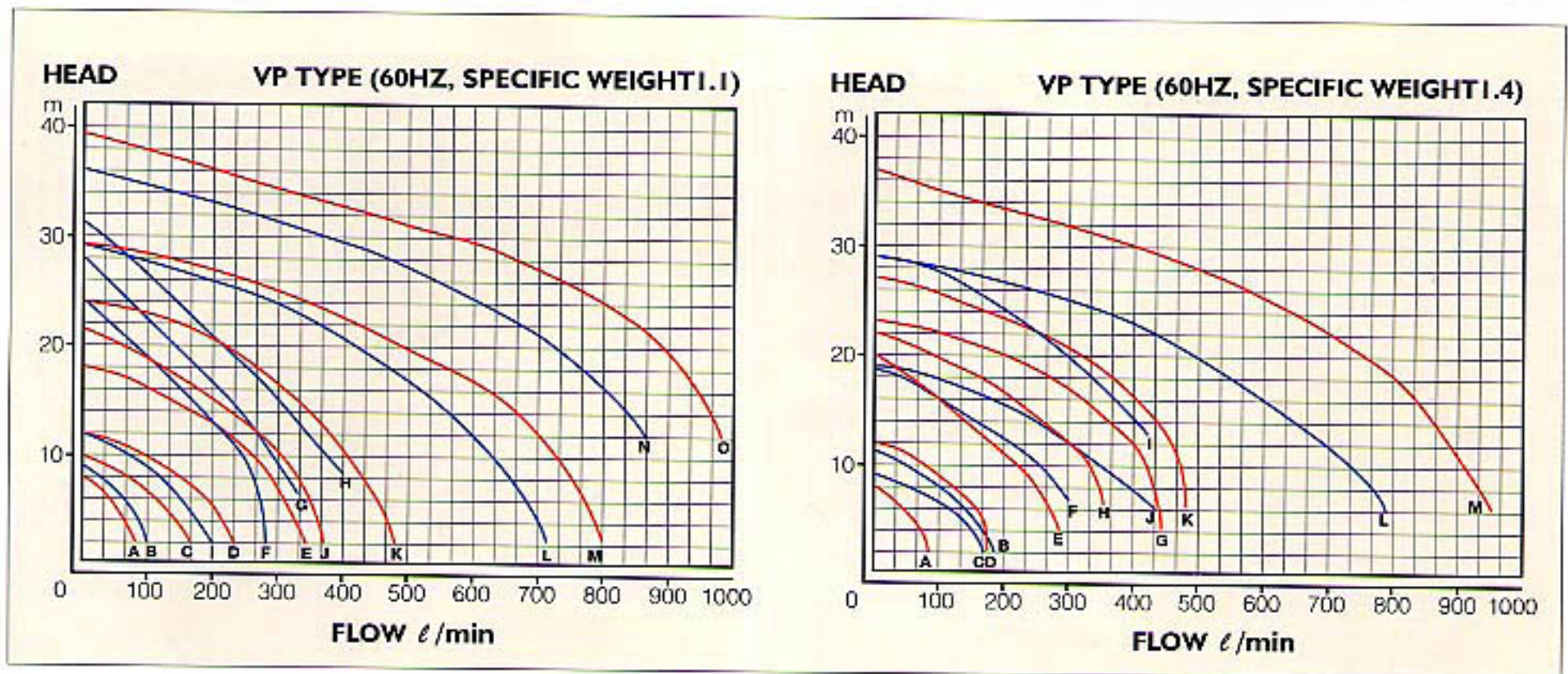
MODEL	CURVES No	DIAMETER (mm)		HORSE POWER HP	HEAD M	FLOW AMOUNT L/min	MAX HEAD M	MAX FLOW L/min	WEIGHT Kg
		In	Out						
KP-20VK-1/4	A	25	20	1/4	4	50	6	70	13
KP-20VK-1/3	B	25	20	1/3	4	60	6.5	80	13
KP-25VK-1/2	C	40	25	1/2	5	100	8	150	20
KP-40VK-15	D	50	40	1	8	130	11	240	20
KP-40VK-25	E	50	40	2	10	150	13	290	24
KPT-40VK-25	F	50	40	2	12	180	20	270	38
KPT-40VK-35	G	50	40	3	16	180	22	350	40
KPT-40VK-55	H	50	40	5	16	200	24	360	55
KPT-50VK-55	I	50	50	5	18	200	22	420	55
KD-41VK-15	J	50	40	1	6	175	11	250	29
KD-42VK-25	K	50	40	2	12	190	16	300	38
KD-42VK-35	L	50	40	3	12	270	20	375	41
KD-50VK-35	M	65	50	3	12	330	20	460	41
KD-50VK-55	N	65	50	5	14	470	24	650	55
KD-65VK-55	O	80	65	5	14	500	24	680	55
KD-65VK-7.55	R	80	65	7.5	16	590	26	900	95
KD-65VK-105	Q	80	65	10	18	590	28	950	106

VP TYPE 50Hz

SPECIFIC WEIGHT 1.4

MODEL	CURVES No	DIAMETER (mm)		HORSE POWER HP	HEAD M	FLOW AMOUNT L/min	MAX HEAD M	MAX FLOW L/min	WEIGHT Kg
		In	Out						
KP-20VP-1/3	A	25	20	1/3	4	50	6	70	13
KP-25VP-15	B	40	25	1	6	160	11	200	20
KP-40VP-15	C	50	40	1	6	140	9	190	20
KP-40VP-25	D	50	40	2	7	160	11	225	24
KPT-40VP-25	E	50	40	2	8	130	13	200	38
KPT-40VP-35	F	50	40	3	14	200	21	310	40
KPT-40VP-55	G	50	40	5	16	200	23	370	55
KPT-50VP-55	H	50	50	5	16	240	20	360	55
KD-50VP-35	I	65	50	3	12	290	20	350	41
KD-50VP-55	J	65	50	5	14	400	23	470	55
KD-65VP-7.55	K	80	65	7.5	18	500	26	785	95
KD-65VP-105	L	80	65	10	18	570	26	950	106

PERFORMANCE CURVE CHART :



VK TYPE 60Hz

SPECIFIC WEIGHT 1.1

MODEL	CURVES No	DIAMETER (mm)		HORSE POWER HP	HEAD M	FLOW AMOUNT L/min	MAX HEAD M	MAX FLOW L/min	WEIGHT Kg
		In	Out						
KP-20VK-1/4	A	25	20	1/4	5	60	8	85	13
KP-20VK-1/3	B	25	20	1/3	5	75	9	100	13
KP-25VK-1/2	C	40	25	1/2	4	150	10	165	20
KP-40VK-16	D	50	40	1	6	180	12	225	20
KP-40VK-26	E	50	40	2	10	260	18	340	24
KPT-40VK-26	F	50	40	2	12	210	24	280	38
KPT-40VK-36	G	50	40	3	14	240	28	325	40
KPT-40VK-56	H	50	40	5	18	250	31	400	55
KD-41VK-16	I	50	40	1	8	120	12	200	29
KD-41VK-26	J	50	40	2	10	300	21	370	38
KD-42VK-36	K	50	40	3	14	350	24	480	41
KD-50VK-56	L	65	50	5	15	550	29	710	55
KD-65VK-56	M	80	65	5	15	650	29	800	55
KD-65VK-7.56	N	80	65	7.5	18	780	36	930	95
KD-65VK-106	O	80	65	10	20	890	39	1050	106

VP TYPE 60Hz

SPECIFIC WEIGHT 1.4

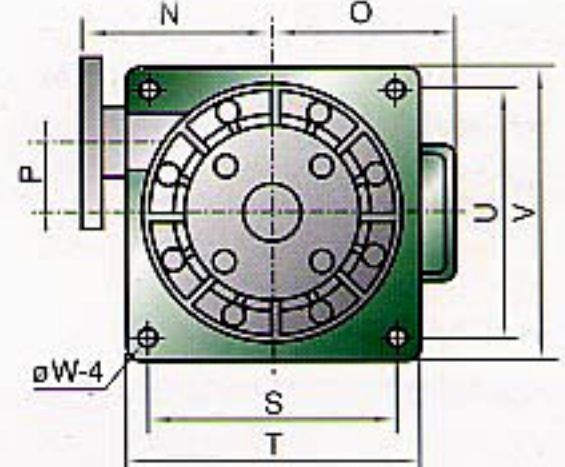
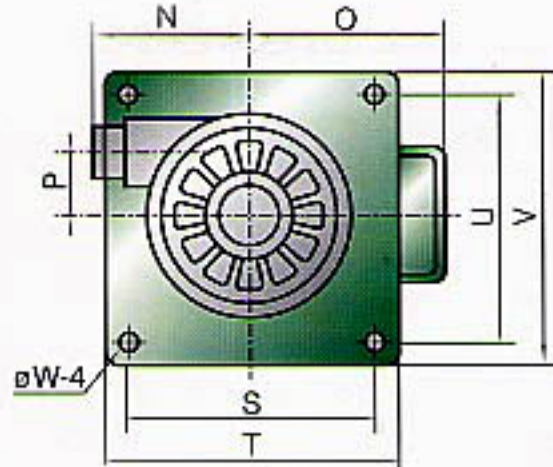
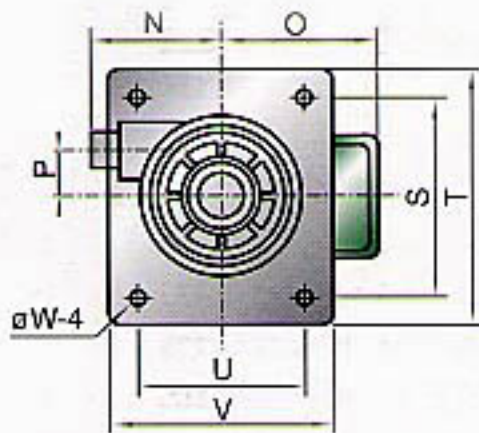
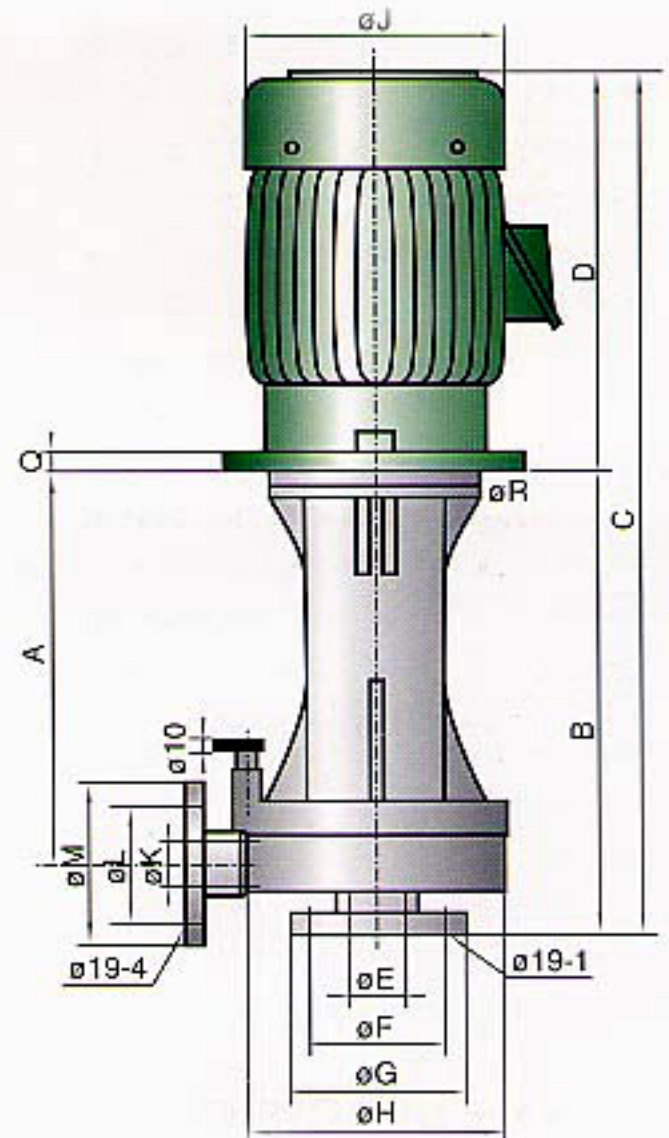
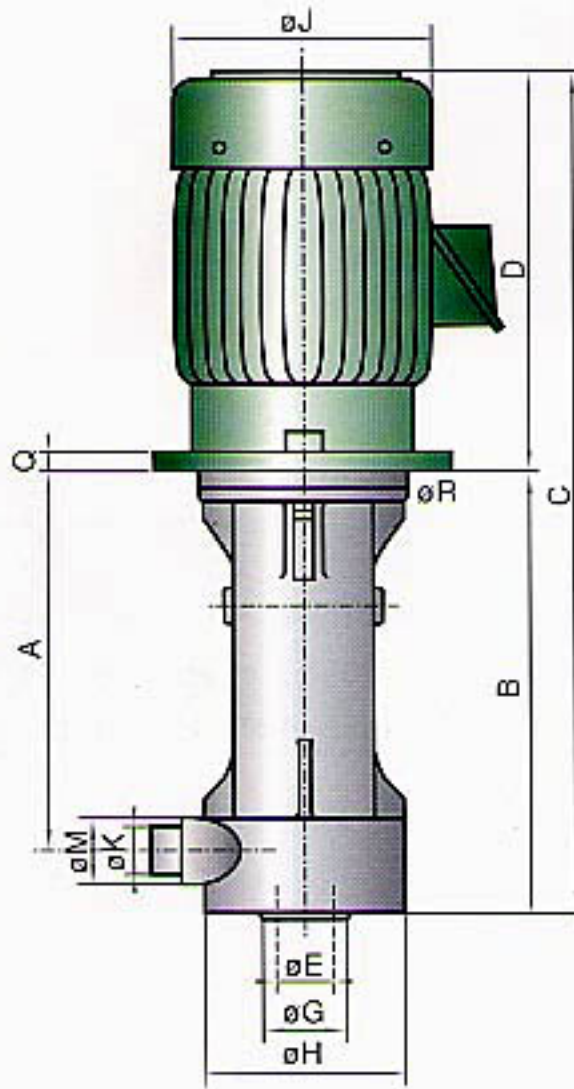
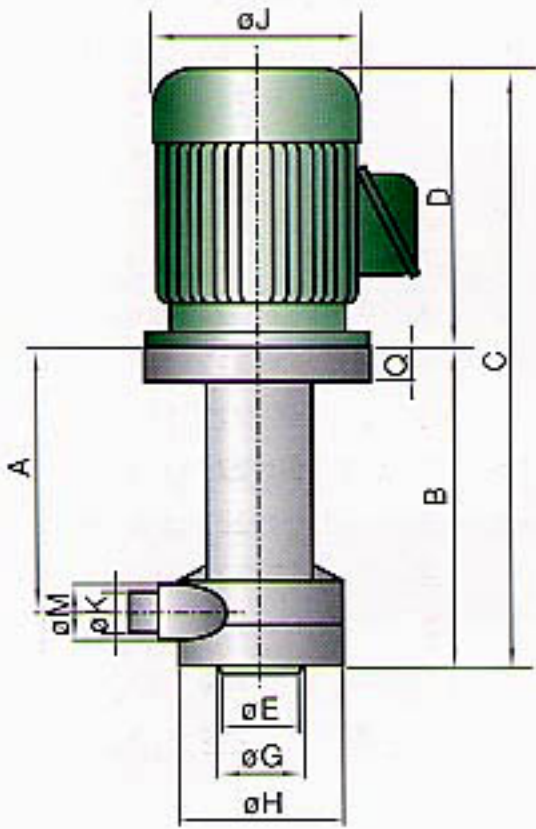
MODEL	CURVES No	DIAMETER (mm)		HORSE POWER HP	HEAD M	FLOW AMOUNT L/min	MAX HEAD M	MAX FLOW L/min	WEIGHT Kg
		In	Out						
KP-20VP-1/3	A	25	20	1/3	5	60	8	85	13
KP-25VP-16	B	40	25	1	7	110	11	185	20
KP-40VP-16	C	50	40	1	6	110	9	175	20
KP-40VP-26	D	50	40	2	7	130	12	180	24
KPT-40VP-26	E	50	40	2	12	180	20	290	38
KPT-40VP-36	F	50	40	3	14	160	19	300	40
KPT-40VP-56	G	50	40	5	16	335	23	430	55
KPT-50VP-36	H	50	50	3	16	210	22	350	40
KPT-50VP-56	I	50	50	5	20	290	29	420	55
KD-50VP-36	J	65	50	3	12	300	19	430	41
KD-50VP-56	K	65	50	5	15	430	27	490	55
KD-65VP-7.56	L	80	65	7.5	16	600	29	790	95
KD-65VP-106	M	80	65	10	18	800	37	950	106

DIMENSION DRAWING :

KP series

KPT series

KD series



MACHINE SPECIFICATIONS :

VK TYPE SPECIFIC WEIGHT I.1

UNIT: MM

MODEL	A	B	C	D	E	F	G	H	I	J	K	L	M	N	O	P	Q	R	S	T	U	V	W
KP-20VK-1/4	260	299	495	196	25		42	110		145	20		35	95	120	36	18		150	180	150	180	10
KP-25VK-1/3	260	299	495	196	25		42	110		145	20		35	95	120	36	18		150	180	150	180	10
KP-25VK-1/2	265	315	550	235	40		75	143		177	40		49	115.5	142	41	30		180	235	148	195	15
KP-40VK-1	265	315	550	235	50		75	143		177	40		52	115.5	142	41	30		180	235	148	195	15
KP-40VK-2	265	315	637	322	50		75	143		200	40		52	115.5	142	41	30		180	235	148	195	15
KPT-40VK-2	345	398	726	328	50		76.5	180		200	40		60	138	156	57	16	185	222	260	222	260	15
KPT-40VK-3	345	398	726	328	50		76.5	180		200	40		60	138	156	57	16	185	222	260	222	260	15
KPT-50VK-5	345	398	783	385	50		76.5	180		238	50		60	138	177	57	16	185	222	260	222	260	15
KD-40VK-16	350	425	700	275	50	120	155	230	4	170	40	105	145	170	142	65	16	185	222	260	222	260	15
KD-40VK-26	350	425	753	328	50	120	155	230	4	202	40	105	145	170	156	65	16	185	222	260	222	260	15
KD-40VK-36	350	425	753	328	50	120	155	230	4	202	40	105	145	170	156	65	16	185	222	260	222	260	15
KD-50VK-36	350	425	753	363	65	140	175	230	4	202	50	120	155	170	177	65	16	185	222	260	222	260	15
KD-50VK-56	350	425	788	363	65	140	175	260	4	243	50	120	155	200	177	65	16	185	222	260	222	260	15
KD-65VK-56	350	425	860	363	80	150	190	260	8	285	65	140	175	200	212	65	16	185	222	260	222	260	15
KD-65VK-7.56	350	425	860	435	80	150	190	260	8	285	65	140	175	200	212	65	20	185	300	350	300	350	18
KD-65VK-106	350	425	860	435	80	150	190	260	8	285	65	140	175	200	212	65	20	185	300	350	300	350	18

VP TYPE SPECIFIC WEIGHT I.4

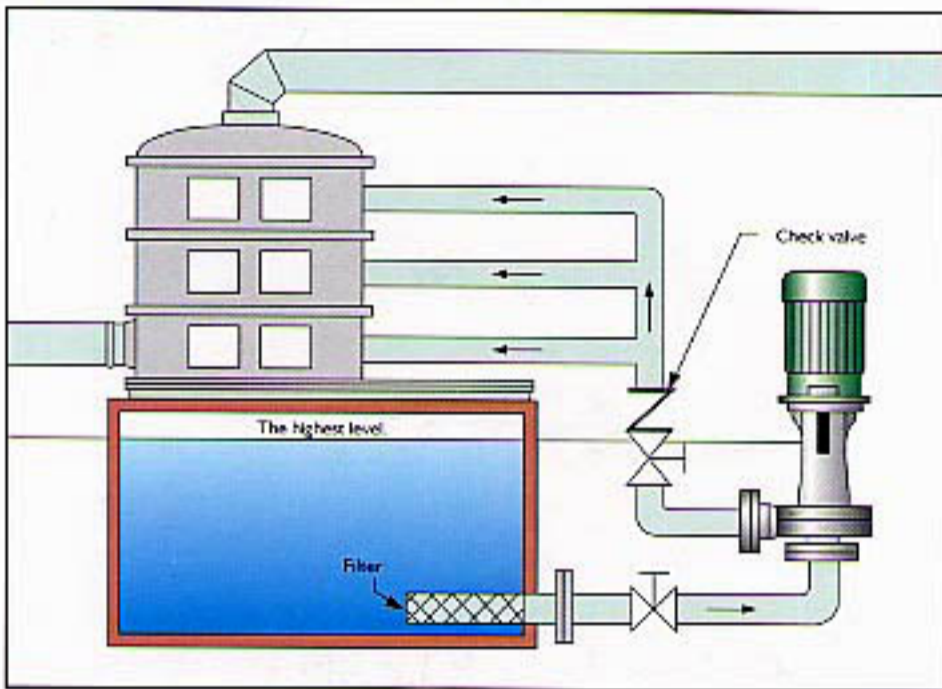
UNIT: MM

MODEL	A	B	C	D	E	F	G	H	I	J	K	L	M	N	O	P	Q	R	S	T	U	V	W
KP-20VP-1/3	260	305	495	196	20		42	110		145	20		35	95	120	36	18		150	180	150	180	10
KP-25VP-1	265	315	550	235	40		75	143		177	40		49	115.5	142	41	30		180	235	148	195	15
KPT-40VP-3	345	398	726	328	50		76.5	180		200	40		60	138	156	57	16	185	222	260	222	260	15
KPT-40VP-5	345	398	767	369	50		76.5	180		238	40		60	138	177	57	16	185	222	260	222	260	15
KD-50VP-3	350	425	753	328	65	140	175	260	4	202	50	120	155	170	177	65	16	185	222	260	222	260	15
KD-50VP-5	350	425	788	363	65	140	175	260	4	243	50	120	155	200	212	65	16	185	222	260	222	260	15
KD-65VP-7.5	350	425	860	435	80	150	190	260	4	285	65	140	175	200	212	65	20	185	300	350	300	350	18
KD-65VP-10	350	405	860	435	80	150	190	260	4	285	65	140	175	200	245	65	20	185	300	350	300	350	18

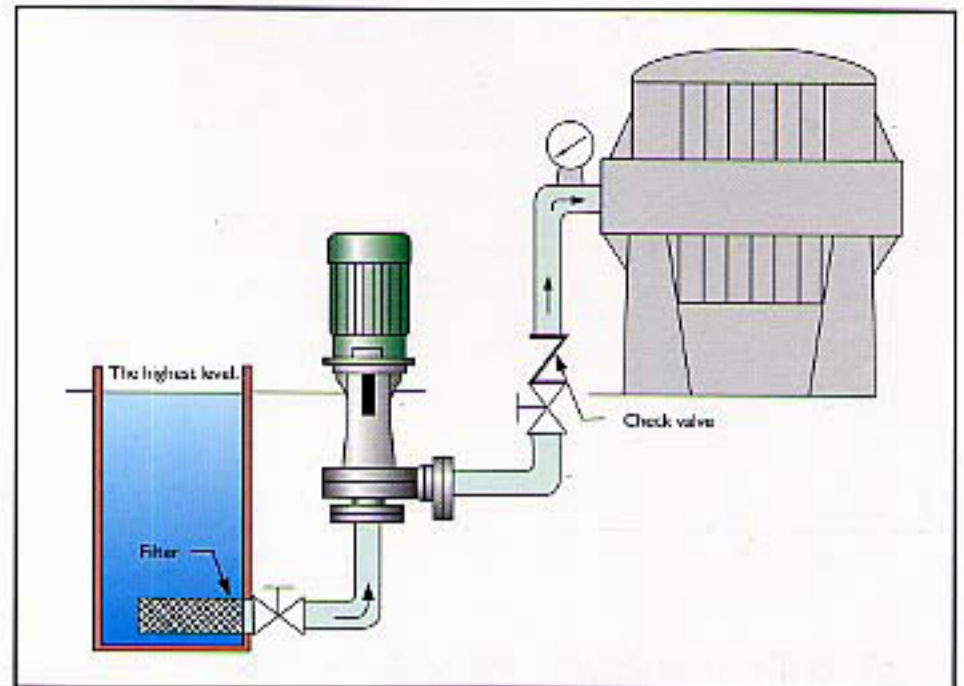
PUMP APPLICATION EXAMPLES

The following is the examples of vertical and no-seal pump KD-VK/VP, which can be combined according to special requirements.

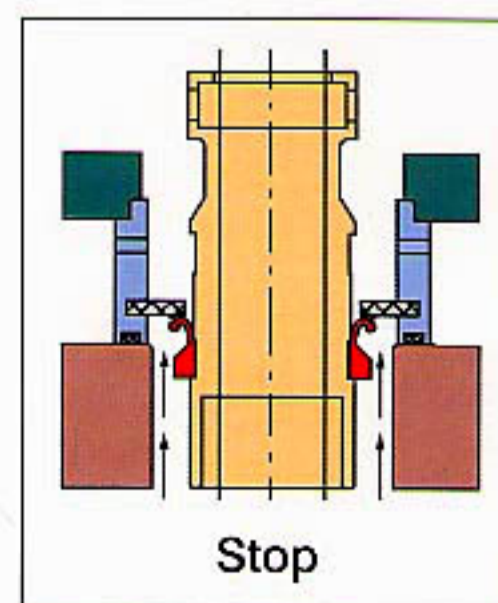
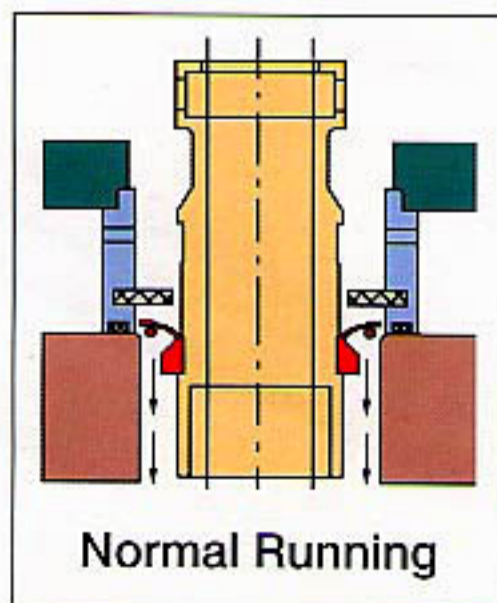
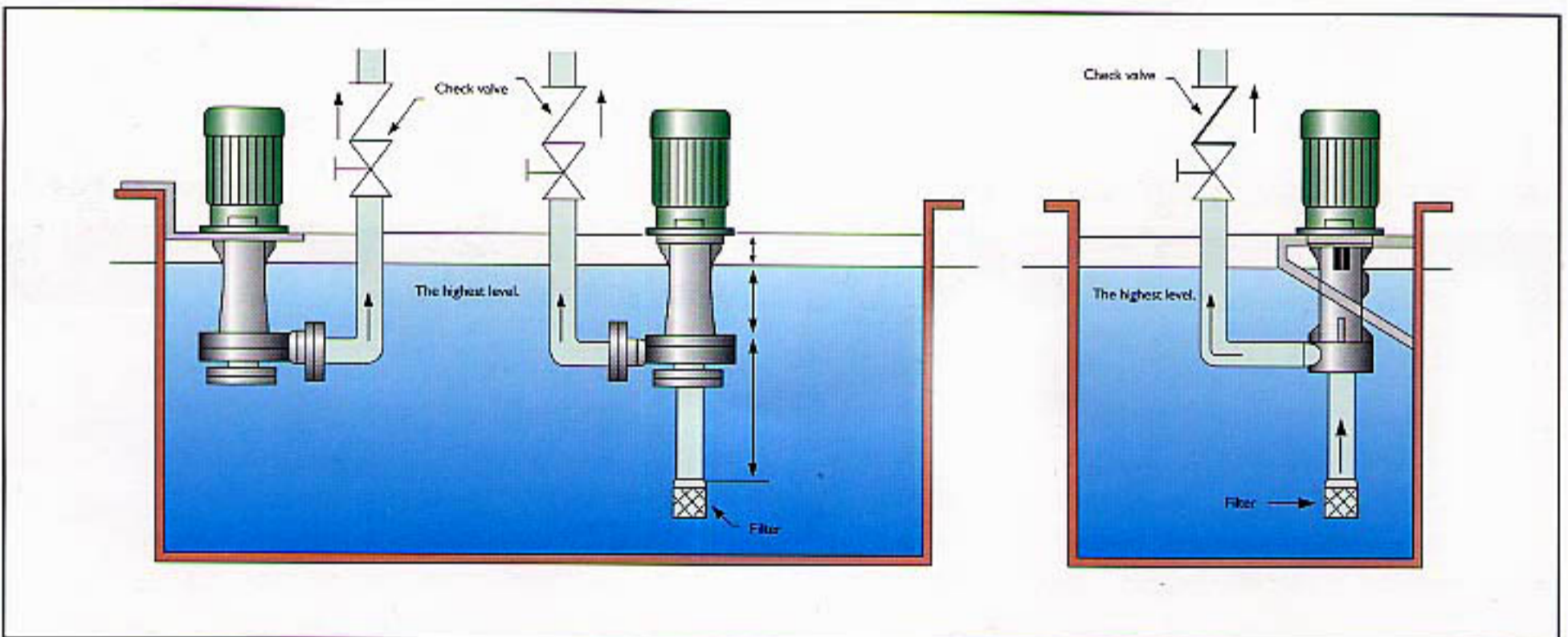
▼ For cleaning waste gas.



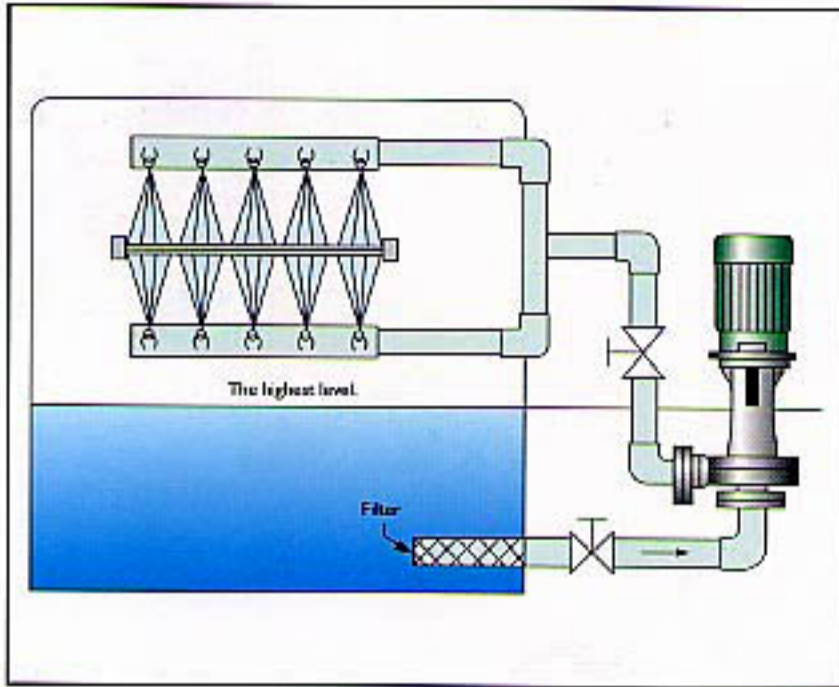
▼ Application for cleaning tower.



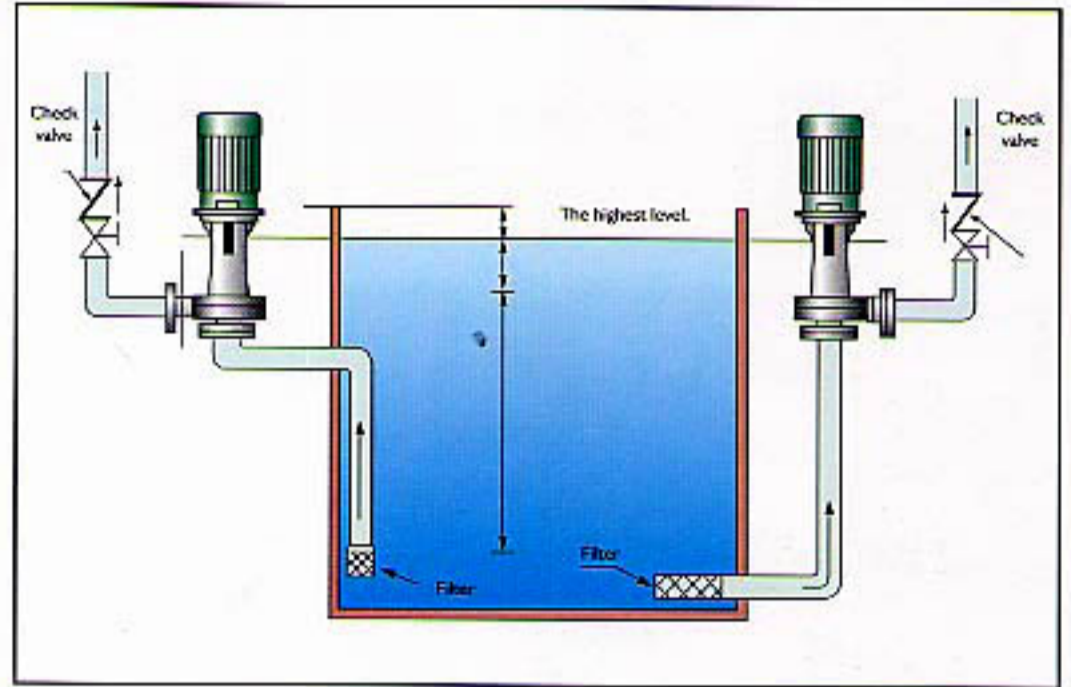
▼ Special application for liquid interchange.



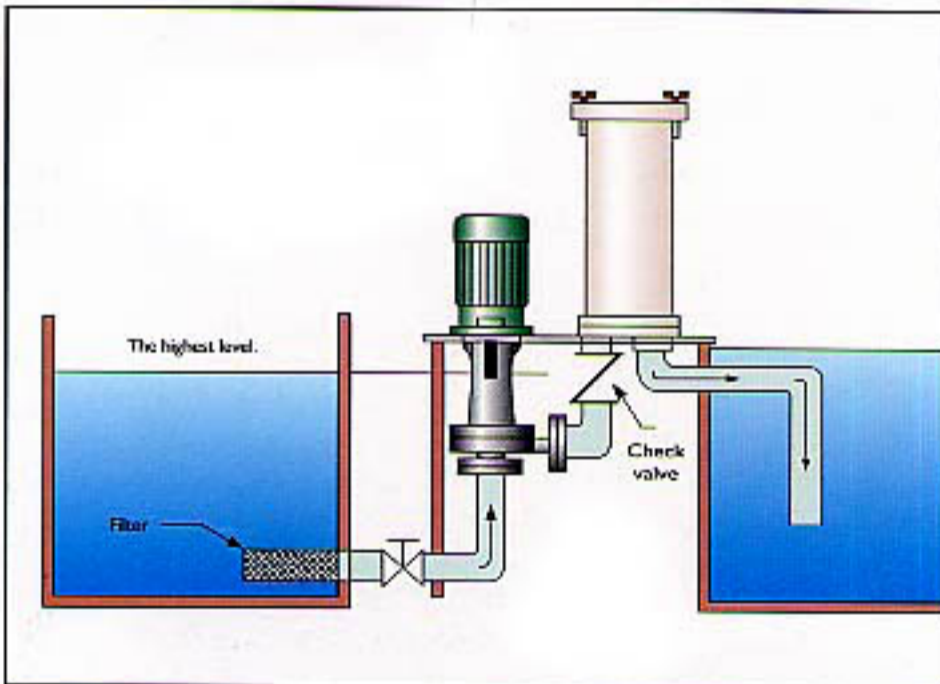
▼ Application spray pump etching.



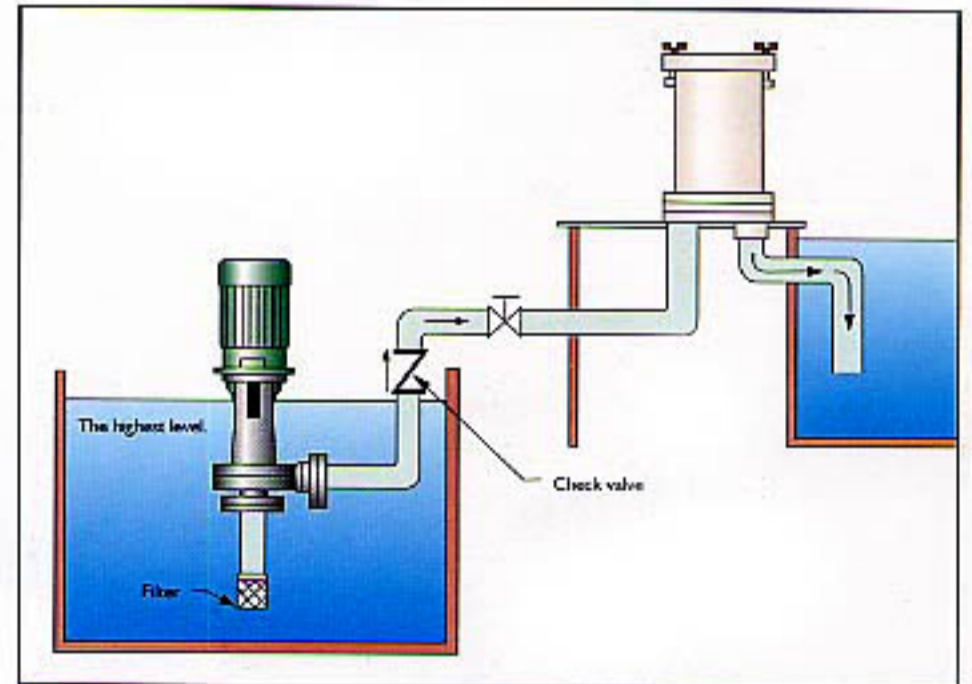
▼ Installed outside of tank.



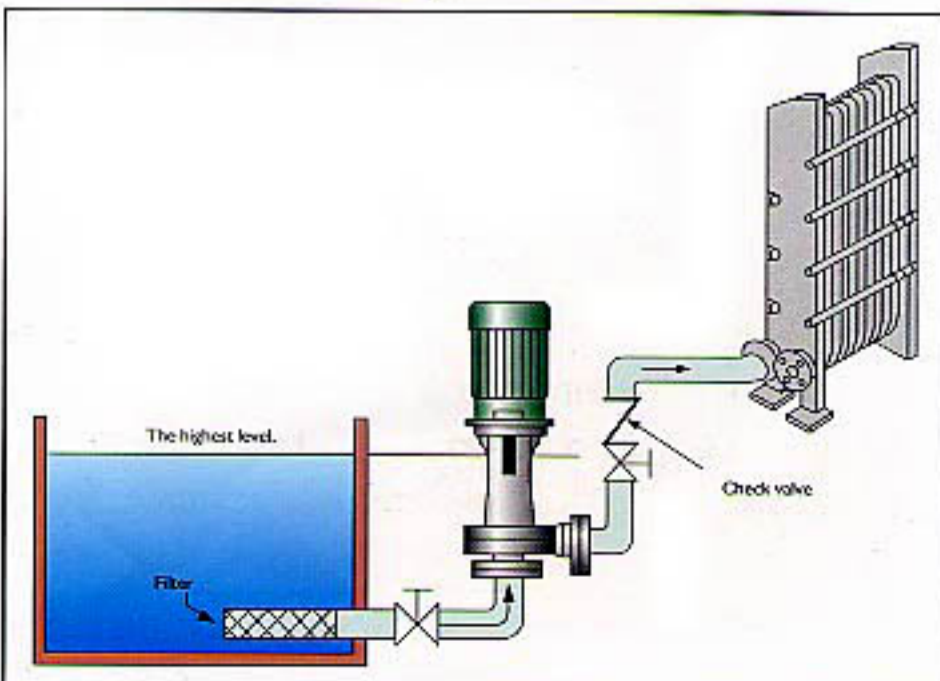
▼ Installed outside tank for filter.



▼ Installed inside tank for filter.



▼ For heat exchanger.



▼ Warning: Wrong application.

