

DOUBLE - PITCH ROLLER CHAINS

FOR TRANSMISSION 32

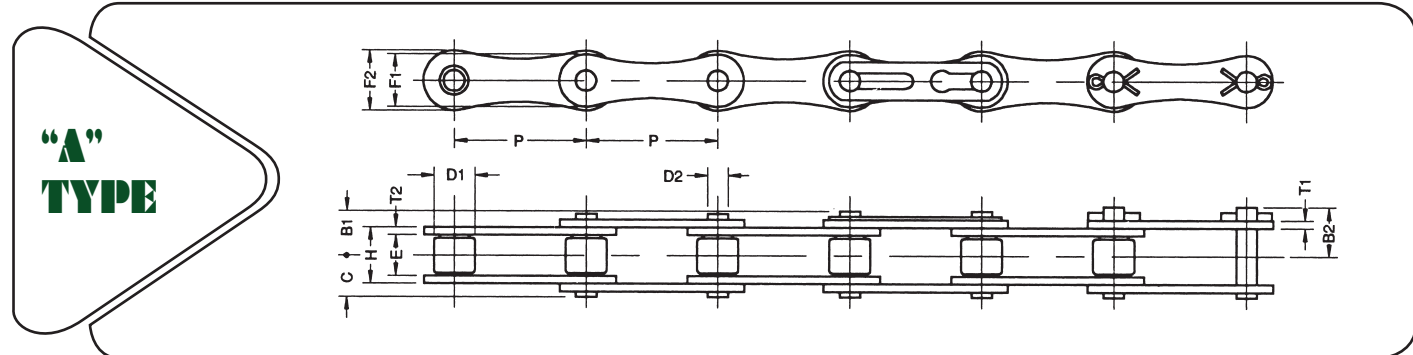
FOR CONVEYOR 32

ATTACHMENT 33



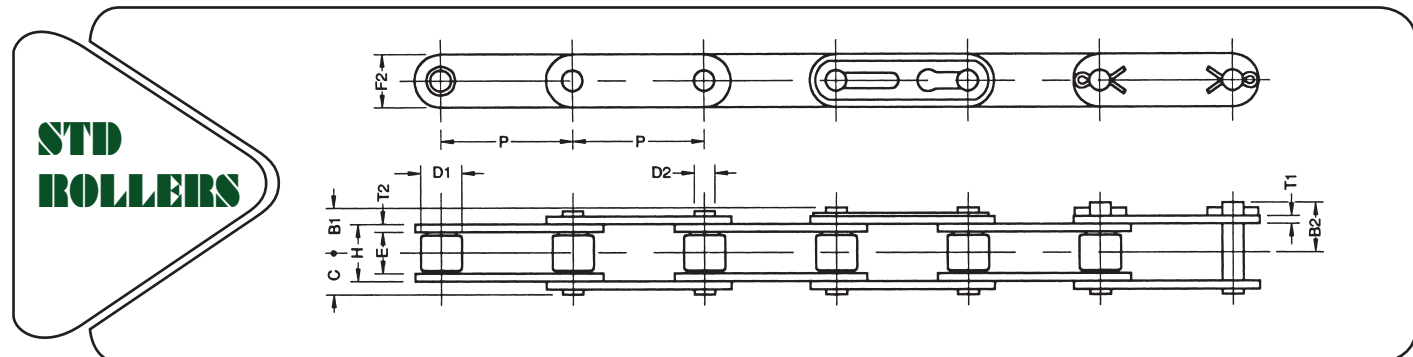
ANSI DOUBLE - PITCH ROLLER CHAIN

POWER TRANSMISSION SERIES

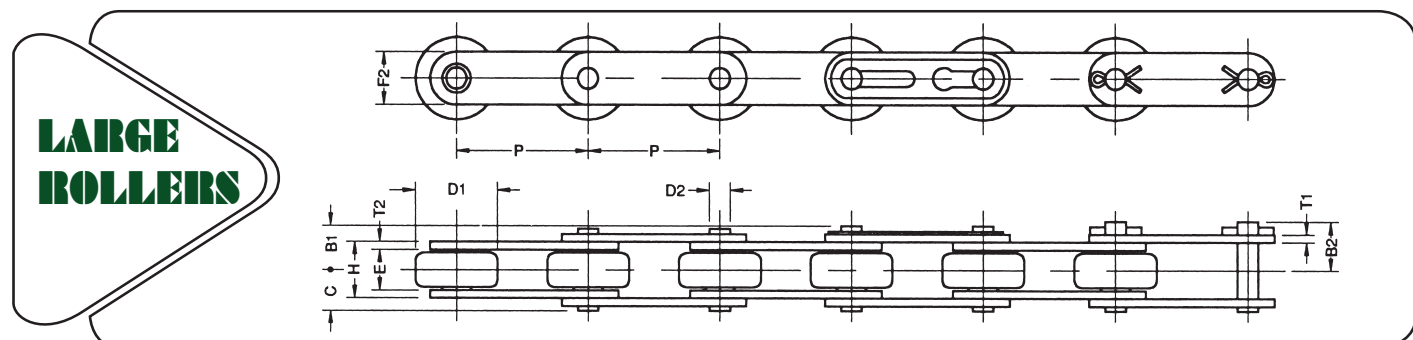


ANSI Chain No.	Pitch x Width		Roller	Pin				Links				Avg. Ulti. Tensile Strength	Approx Weight	
	P	E		D1	C	B1	B2	D2	T1	T2	H			F1
	inch	mm	mm	mm	mm	mm	mm	mm	mm	mm	mm	mm	kgf	kg/m
A2040	1 x 5/16	25.4 x 7.92	7.92	8.16	9.36	10.56	3.98	1.49	1.49	11.17	10.41	12.06	1800	0.41
A2050	1 1/4 x 3/8	31.75 x 9.52	10.16	10.15	11.55	12.32	5.09	2.01	2.01	13.84	13.01	15.08	3000	0.68
A2060	1 1/2 x 1/2	38.1 x 12.70	11.91	12.63	14.00	15.43	5.96	2.38	2.38	17.75	15.64	18.09	4200	0.95

CONVEYOR SERIES



ANSI Chain No.	Pitch x Width		Roller	Pin				Links				Avg. Ulti. Tensile Strength	Approx Weight	
	P	E		D1	C	B1	B2	D2	T1	T2	H			F2
	inch	mm	mm	mm	mm	mm	mm	mm	mm	mm	mm	mm	kgf	kg/m
C2040	1 x 5/16	25.4 x 7.92	7.92	8.16	9.36	10.56	3.98	1.49	1.49	11.17	12.06	12.06	1800	0.472
C2050	1 1/4 x 3/8	31.75 x 9.52	10.16	10.15	11.55	12.32	5.09	2.01	2.01	13.84	15.08	15.08	3000	0.804
C2060	1 1/2 x 1/2	38.1 x 12.70	11.91	12.63	14.00	15.43	5.96	2.38	2.38	17.75	18.09	18.09	4200	1.13

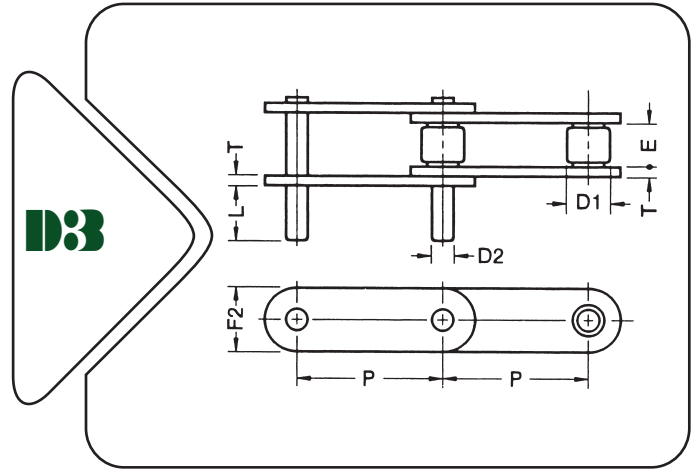
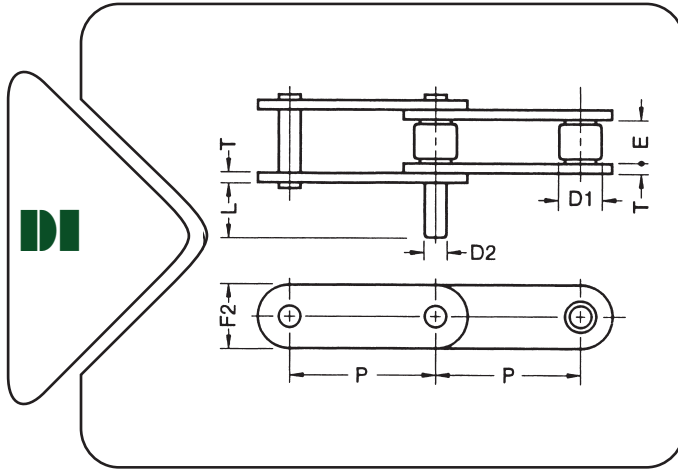


ANSI Chain No.	Pitch x Width		Roller	Pin				Links				Avg. Ulti. Tensile Strength	Approx Weight	
	P	E		D1	C	B1	B2	D2	T1	T2	H			F2
	inch	mm	mm	mm	mm	mm	mm	mm	mm	mm	mm	mm	kgf	kg/m
C2042	1 x 5/16	25.4 x 7.92	15.88	8.16	9.36	10.56	3.98	1.49	1.49	11.17	12.06	12.06	1800	0.827
C2052	1 1/4 x 3/8	31.75 x 9.52	19.05	10.15	11.55	12.32	5.09	2.01	2.01	13.84	15.08	15.08	3000	1.270
C2062	1 1/2 x 1/2	38.1 x 12.70	22.22	12.63	14.00	15.43	5.96	2.38	2.38	17.75	18.09	18.09	4200	1.85



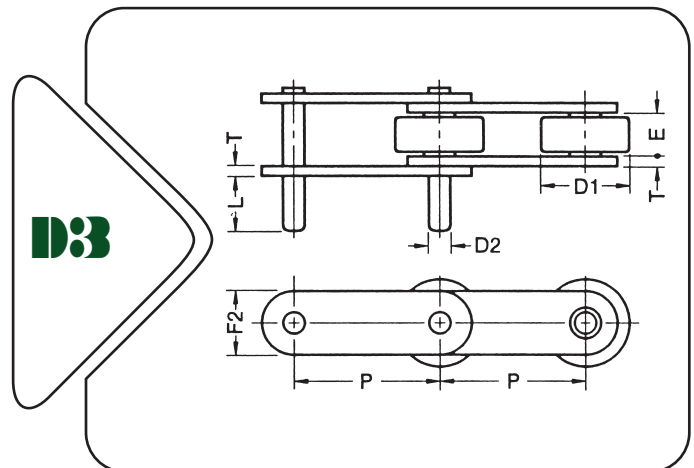
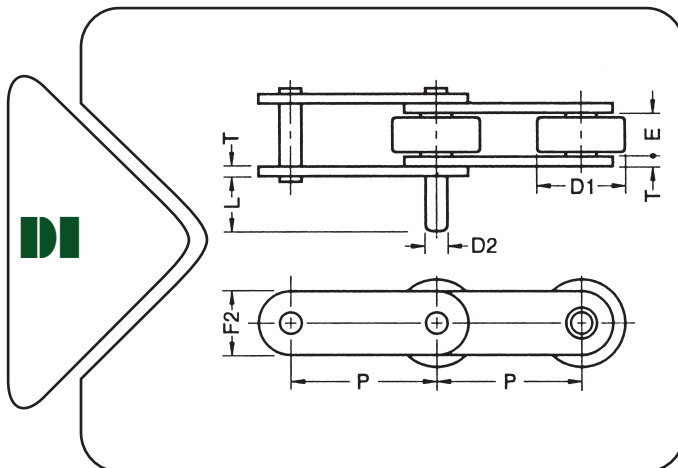
DOUBLE-PITCH CHAIN ATTACHMENT

STANDARD ROLLERS



ANSI Chain No.	Pitch x Width		Roller	Pin			Links		Avg. Ulti. Tensile Strength
	P	E		D1	D2	L	T	F2	
	inch	mm	mm	mm	mm	mm	mm	kgf	
C2040	1 x 5/16	25.4 x 7.92	7.92	3.98	9.52	1.49	12.06	1800	
C2050	1 1/4 x 3/8	31.75 x 9.52	10.16	5.09	11.91	2.01	15.08	3000	

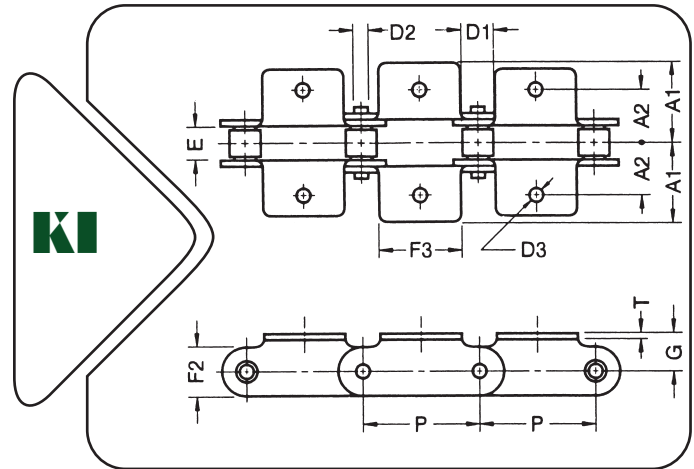
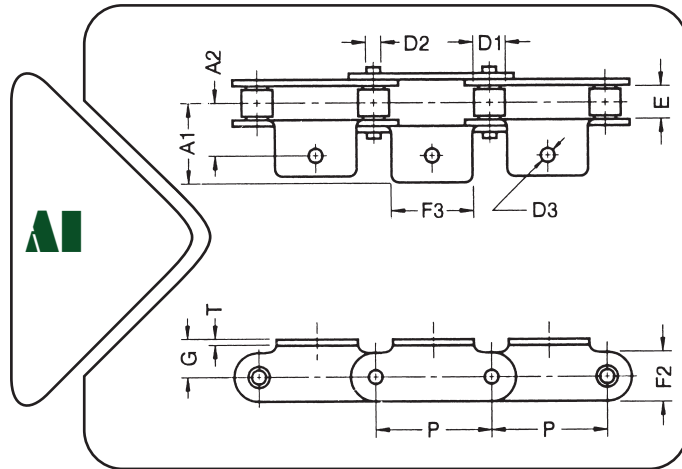
LARGE ROLLERS



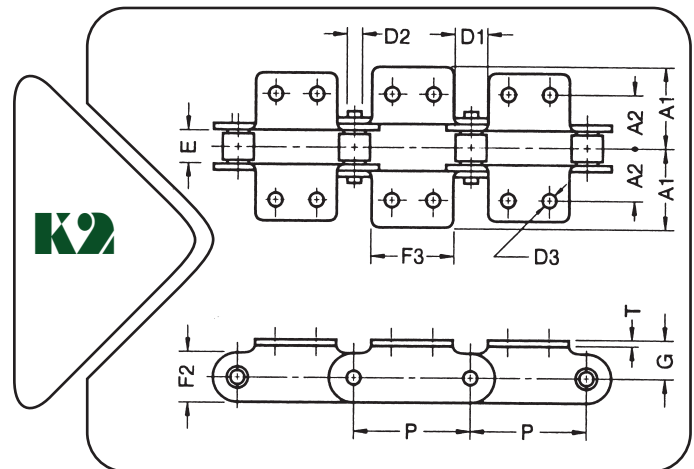
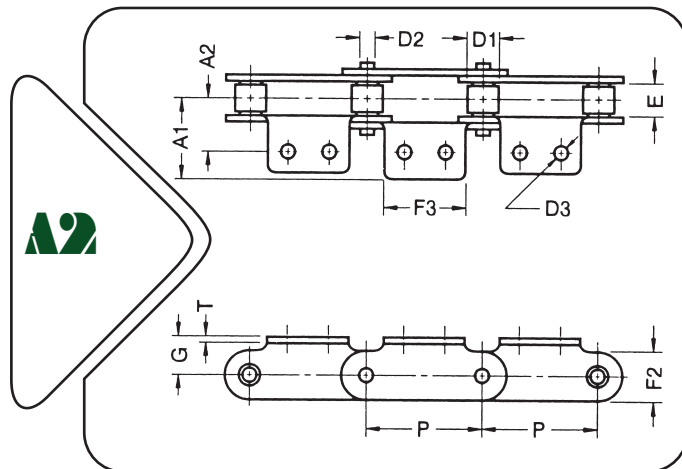
ANSI Chain No.	Pitch x Width		Roller	Pin			Links		Avg. Ulti. Tensile Strength
	P	E		D1	D2	L	T	F2	
	inch	mm	mm	mm	mm	mm	mm	kgf	
C2042	1 x 5/16	25.4 x 7.92	15.88	3.98	9.52	1.49	12.06	1800	
C2052	1 1/4 x 3/8	31.75 x 9.52	19.05	5.09	11.91	2.01	15.08	3000	



DOUBLE-PITCH CHAIN ATTACHMENT



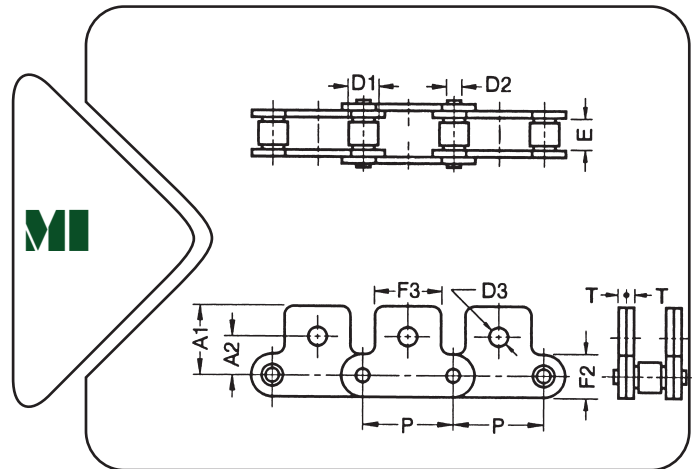
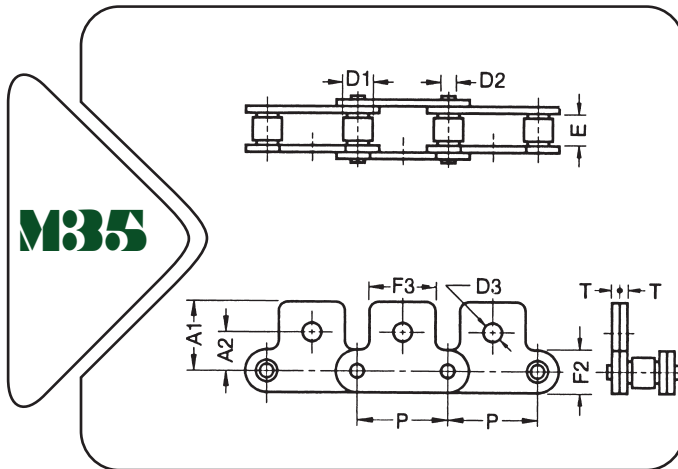
ANSI Chain No.	Pitch x Width		Roller D1	Pin D2	Links		Attachment					Avg. Ulti. Tensile Strength kgf
	P	E			T	F2	A1	A2	F3	D3	G	
	inch	mm	mm	mm	mm	mm	mm	mm	mm	mm	mm	
C2040	1 x 5/16	25.4 x 7.92	7.92	3.98	1.49	12.06	18.85	12.70	19.05	3.57	9.12	1800
C2050	1 1/4 x 3/8	31.75 x 9.52	10.16	5.09	2.01	15.08	24.00	15.88	25.40	5.16	11.13	3000



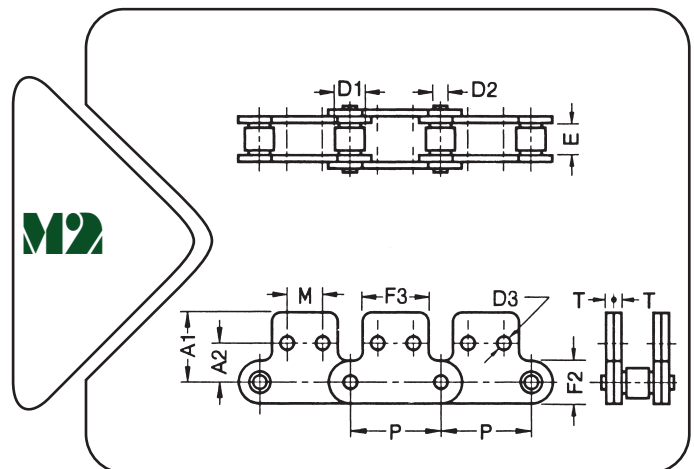
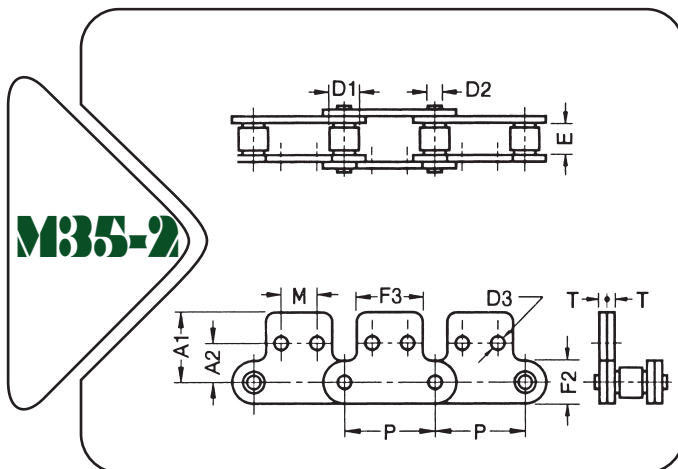
ANSI Chain No.	Pitch x Width		Roller D1	Pin D2	Links		Attachment						Avg. Ulti. Tensile Strength kgf
	P	E			T	F2	A1	A2	F3	D3	G	M	
	inch	mm	mm	mm	mm	mm	mm	mm	mm	mm	mm	mm	
C2040	1 x 5/16	25.4 x 7.92	7.92	3.98	1.49	12.06	18.85	12.70	19.05	3.57	9.12	9.52	1800
C2050	1 1/4 x 3/8	31.75 x 9.52	10.16	5.09	2.01	15.08	24.00	15.88	25.40	5.16	11.13	11.91	3000



DOUBLE-PITCH CHAIN ATTACHMENT



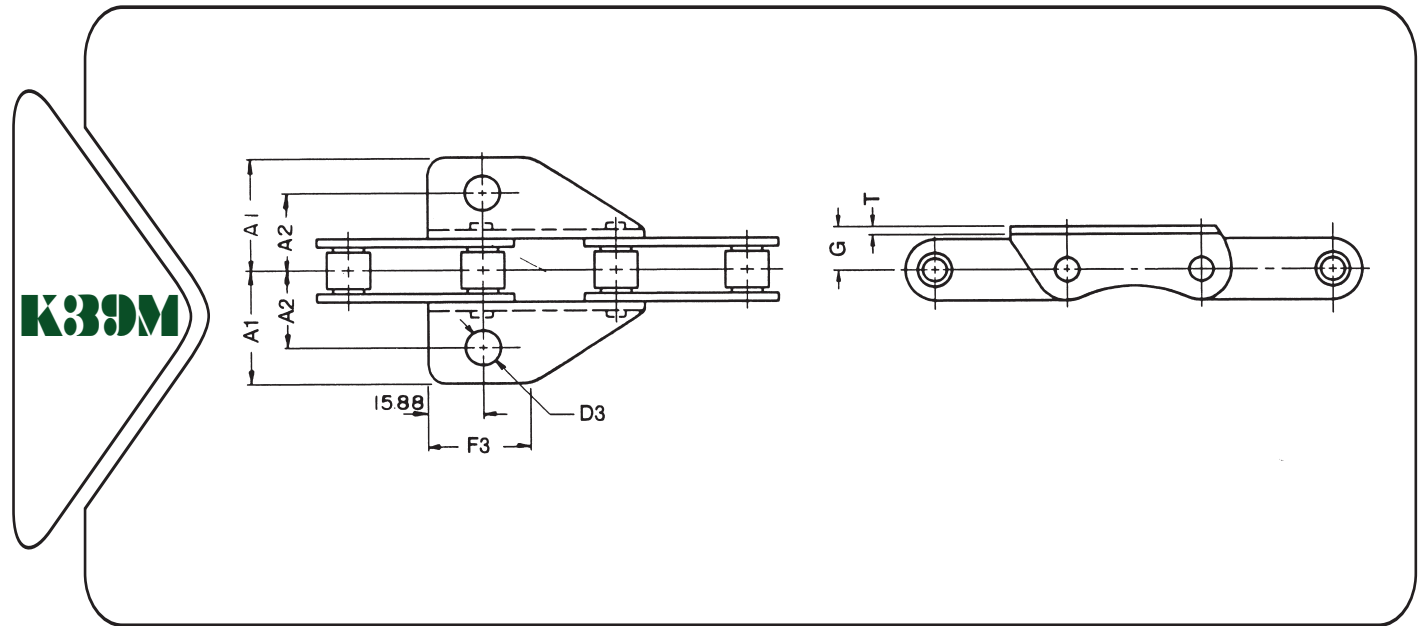
ANSI Chain No.	Pitch x Width		Roller D1	Pin D2	Links		Attachment				Avg. Ulti. Tensile Strength kgf		
	P	x E			T	F2	A1	A2	F3	D3			
	inch	mm	mm	mm	mm	mm	mm	mm	mm	mm			
C2040	1	x 5/16	25.4	x 7.92	7.92	3.98	1.49	12.06	19.28	11.12	19.05	5.16	1800
C2050	1 1/4	x 3/8	31.75	x 9.52	10.16	5.09	2.01	15.08	24.60	14.27	25.40	6.35	3000



ANSI Chain No.	Pitch x Width		Roller D1	Pin D2	Links		Attachment					Avg. Ulti. Tensile Strength kgf		
	P	x E			T	F2	A1	A2	F3	D3	M			
	inch	mm	mm	mm	mm	mm	mm	mm	mm	mm	mm			
C2040	1	x 5/16	25.4	x 7.92	7.92	3.98	1.49	12.06	19.28	13.49	19.05	3.57	9.52	1800
C2050	1 1/4	x 3/8	31.75	x 9.52	10.16	5.09	2.01	15.08	24.60	15.88	25.40	5.16	11.91	3000



C2060 CHAIN ATTACHMENT



Dimensions - mm

Attachment	A1	A2	F3	D3	G	T
K39M	31.75	21.42	29.50	9.78	12.70	2.38