

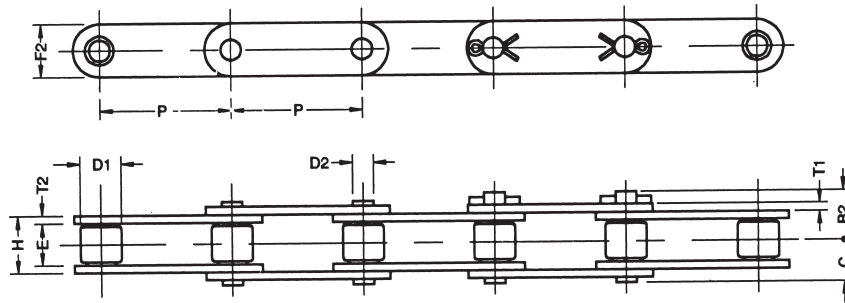
AGRICULTURAL CHAINS

AGRICULTURAL CHAIN 44

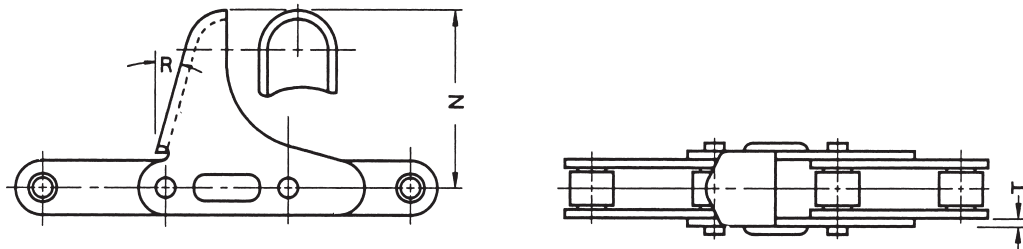
ATTACHMENT 44



AGRICULTURAL CHAIN & ATTACHMENT

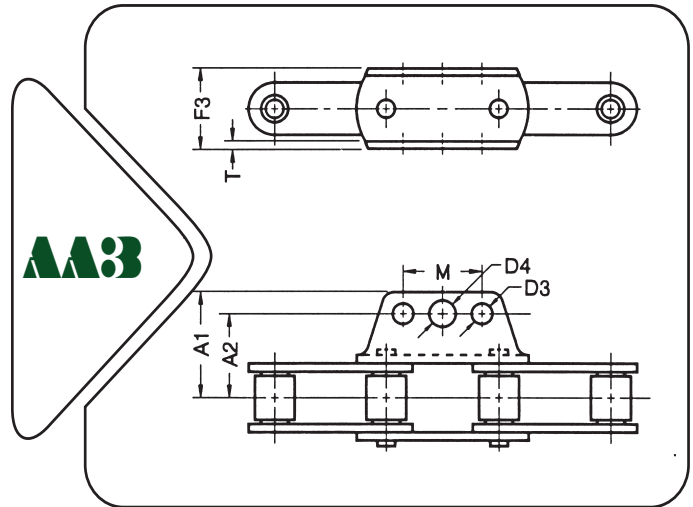
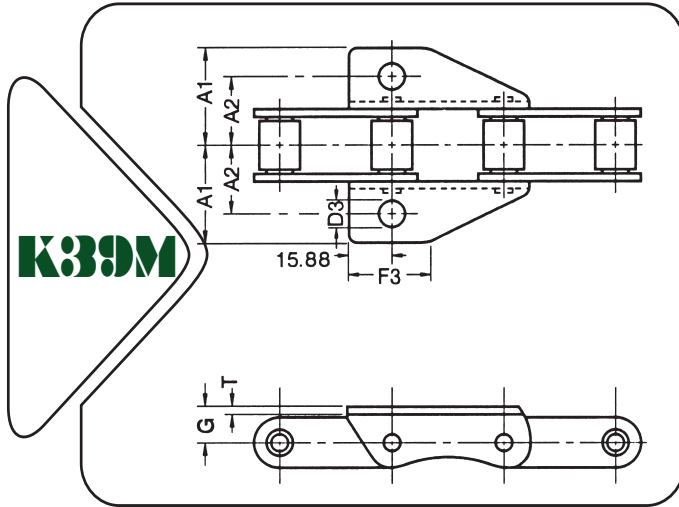


ANSI Chain No.	Pitch x Width		Roller	Pin			Links			Avg. Ulti. Tensile Strength kgf	Approx. Weight kg/m
	P	E	D1	C	B2	D2	T	H	F2		
	inch	mm	mm	mm	mm	mm	mm	mm	mm		
CA550	1.630 x 0.780	41.40 x 19.81	16.86	17.58	21.08	7.19	2.75	25.91	20.17	5500	1.87
CA555	1.630 x 1/2	41.40 x 12.70	16.86	15.05	18.60	7.19	3.18	19.10	20.17	5700	1.78
CA557	1.630 x 3/4	41.40 x 19.05	17.75	19.00	22.60	7.99	3.18	26.05	22.30	6200	2.37



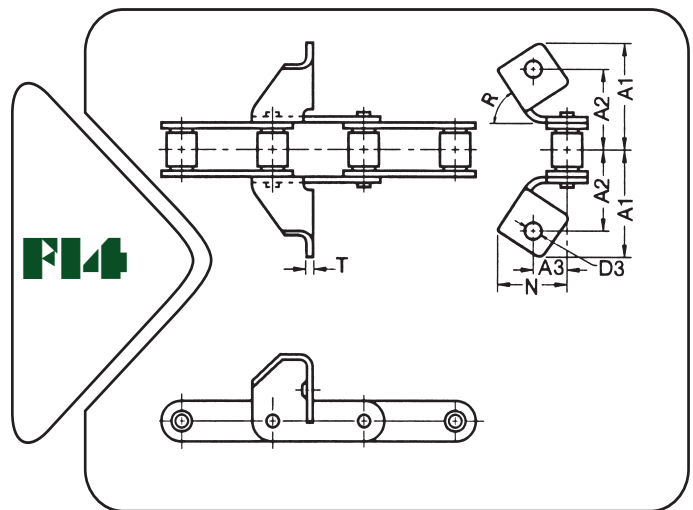
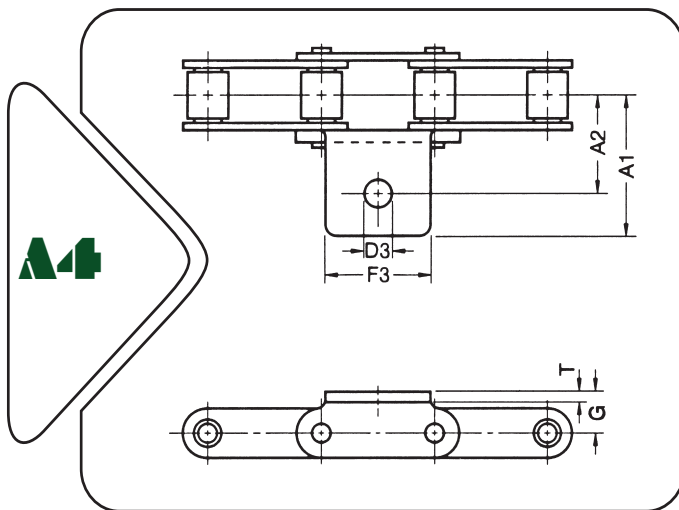
Dimensions - mm

Attachment	Chain No.	N	R	T
C6E	CA555	63.50	15°	3.18



Dimensions-mm

Attachment	A1	A2	M	F3	D3	D4	G	T
K39M	35.72	25.40	-	29.50	9.78	-	12.70	2.75
AA3	40.25	31.95	30.20	30.00	8.20	10.00	-	3.18

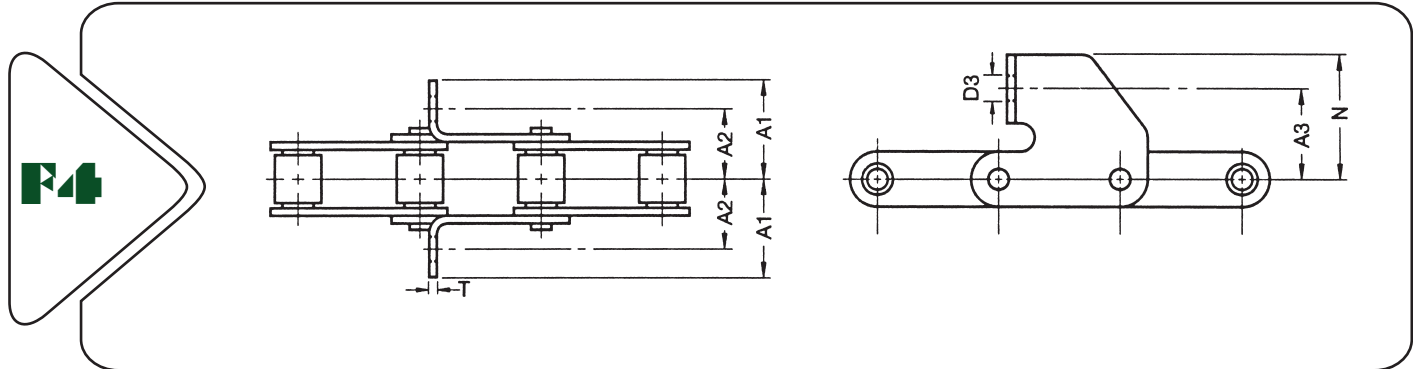


Dimensions-mm

Attachment	A1	A2	F3	D3	G	N	A3	R	T
A4	52.39	36.91	38.10	10.32	15.88	-	-	-	4.50
F14	52.39	39.69	-	8.33	-	31.75	15.88	57°	2.75

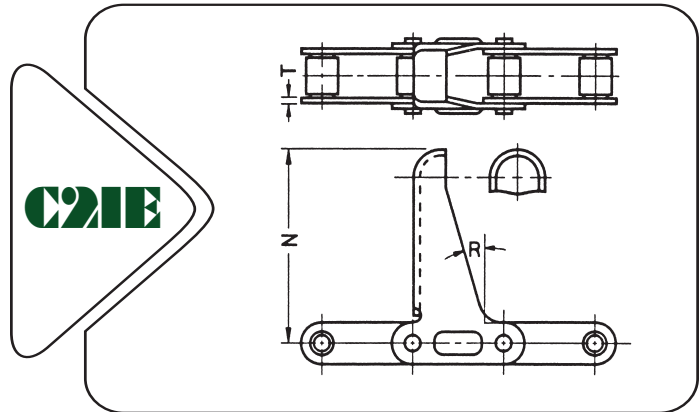
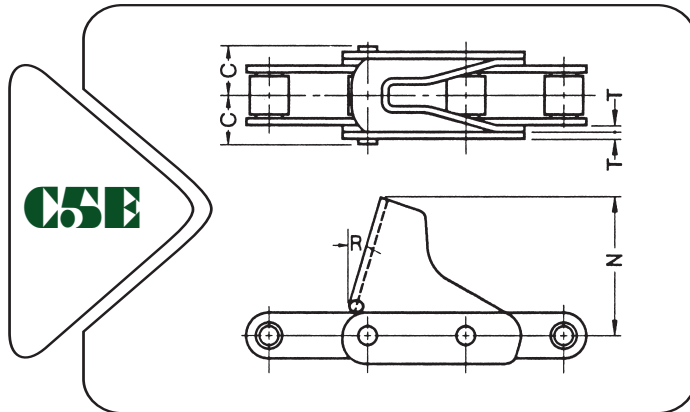


CA550 ATTACHMENT



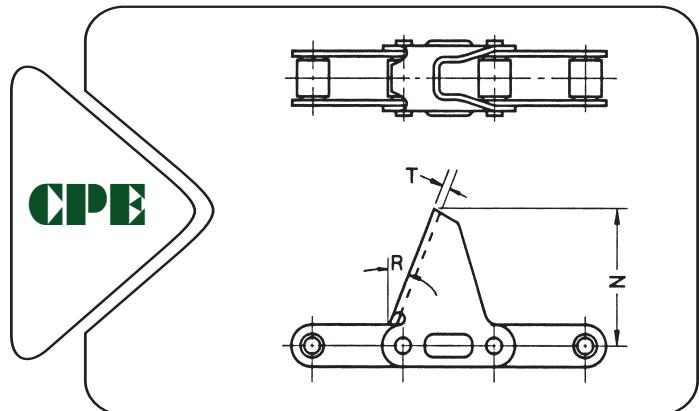
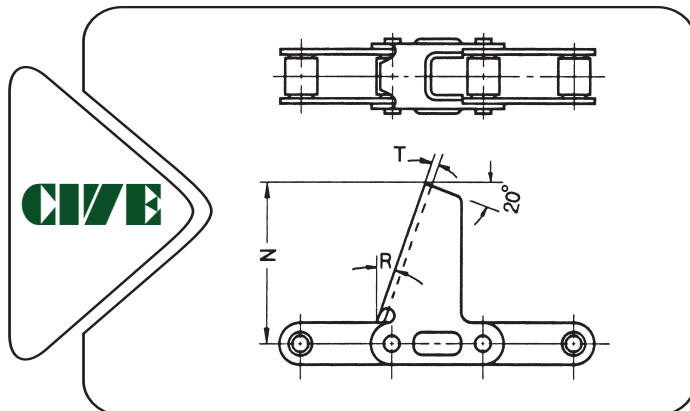
Dimensions-mm

Attachment	A1	A2	D3	N	A3	T
F4	34.15	23.80	8.33	42.90	30.90	2.75



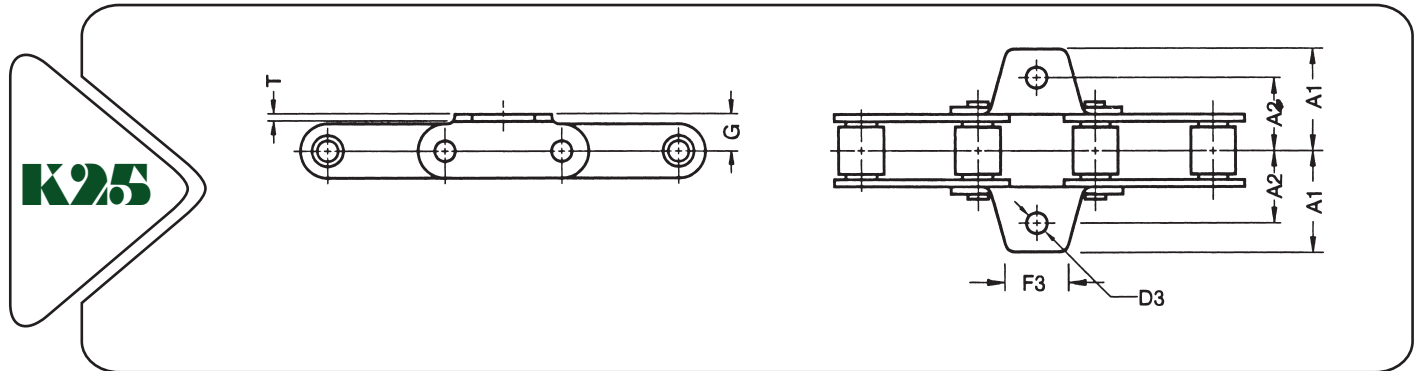
Dimensions-mm

Attachment	R	N	C	T
C5E	15°	59.00	21.1	3.18
C21E	16°	92.07	-	2.75



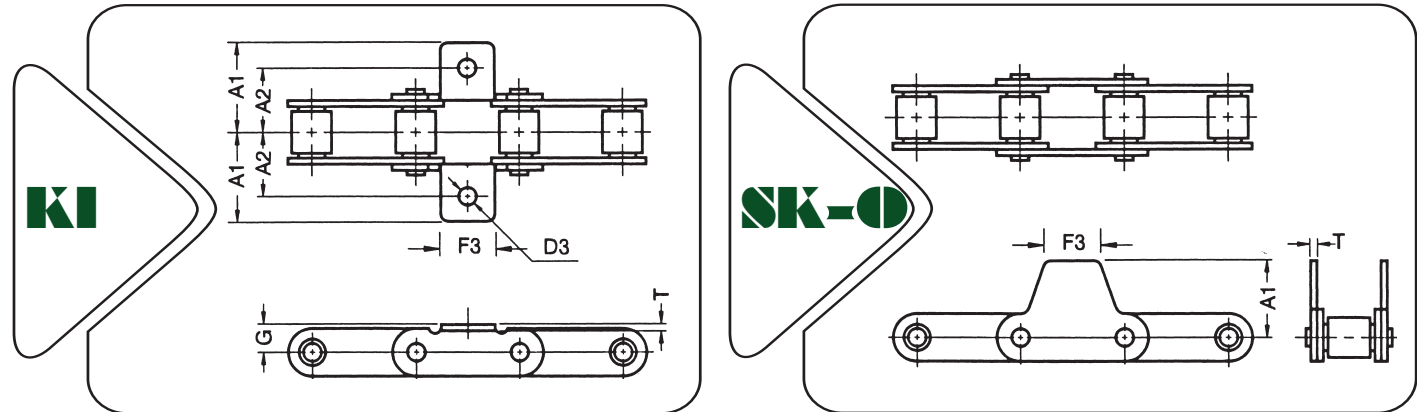
Dimensions-mm

Attachment	R	N	T
C17E	17 1/2°	76.2	2.75
CPE	20°	64.7	2.75



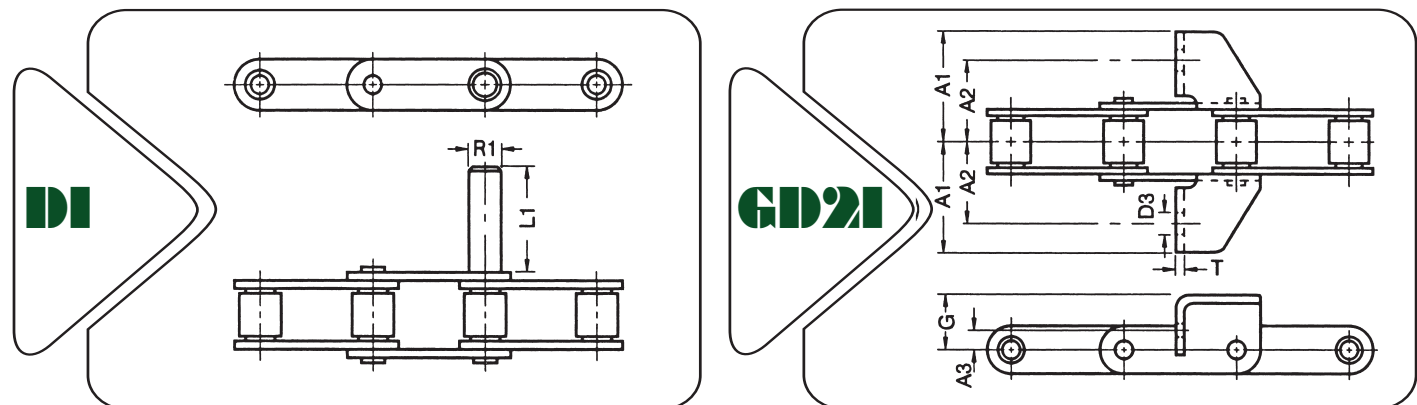
Dimensions-mm

Attachment	A1	A2	F3	D3	G	T
K25	35.30	25.40	22.22	8.33	12.70	2.75



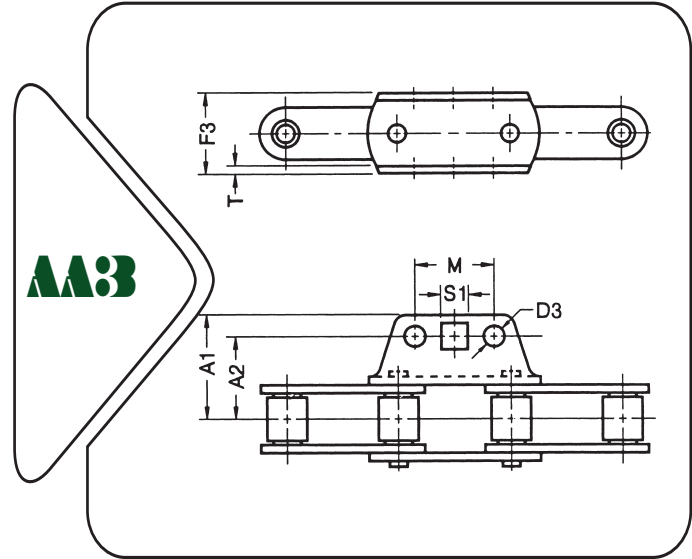
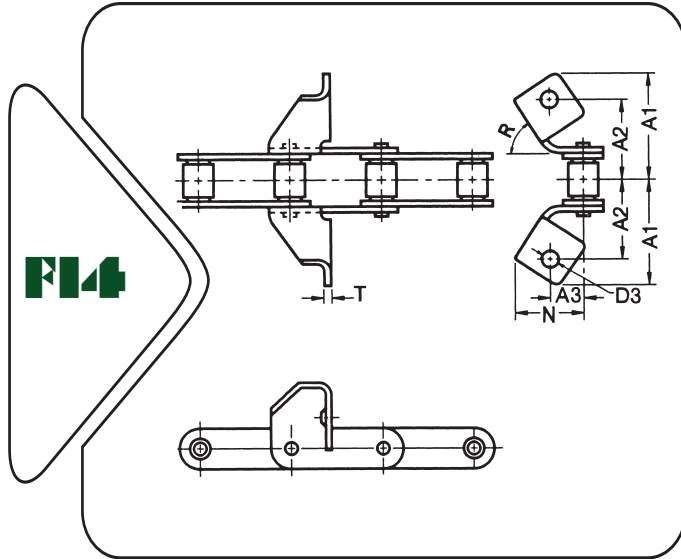
Dimensions-mm

Attachment	A1	A2	D3	F3	G	T
K-1	37.70	25.40	6.75	22.22	10.72	2.75
SK-0	30.60	-	-	22.22	-	2.75



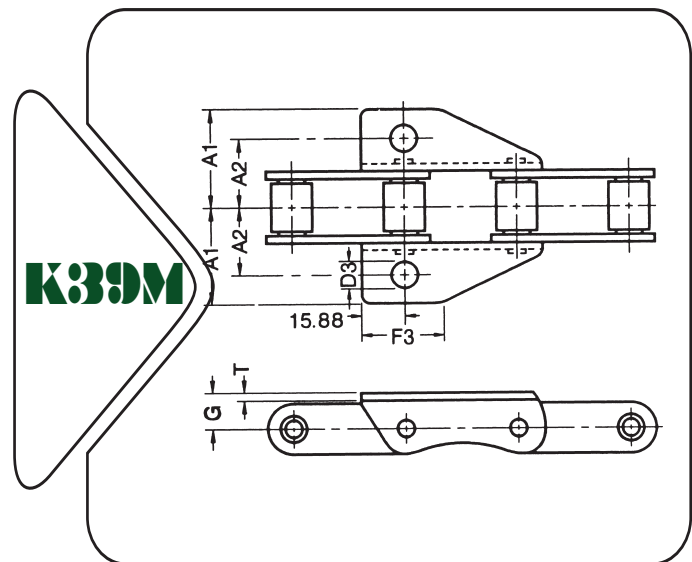
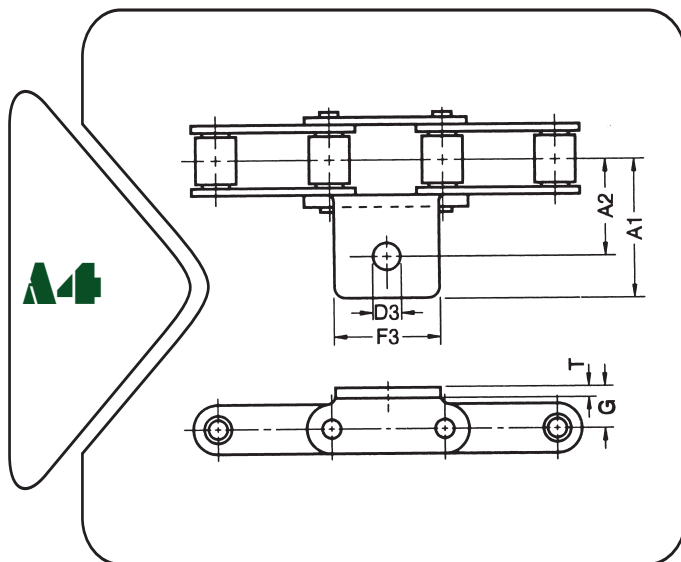
Dimensions-mm

Attachment	Type	R1	L1	A1	A2	D3	A3	G	T
D-1	A	12.70	50.80	-	-	-	-	-	-
D-1	B	12.70	41.28	-	-	-	-	-	-
D-1	C	11.11	38.10	-	-	-	-	-	-
GD 21		-	-	42.46	31.75	8.33	8.33	20.24	2.75



Dimensions-mm

Attachment	A1	A2	D3	F3	S1	A3	M	N	R	T
F14	52.39	39.69	8.33	-	-	15.88	-	31.75	57°	3.18
AA3	43.29	31.90	8.20	31.06	9.73	-	30.20	-	-	3.40



Dimensions-mm

Attachment	A1	A2	F3	D3	G	T
A4	52.39	36.91	38.10	10.32	15.88	4.50
K39M	35.72	25.40	29.50	9.78	12.70	3.18