

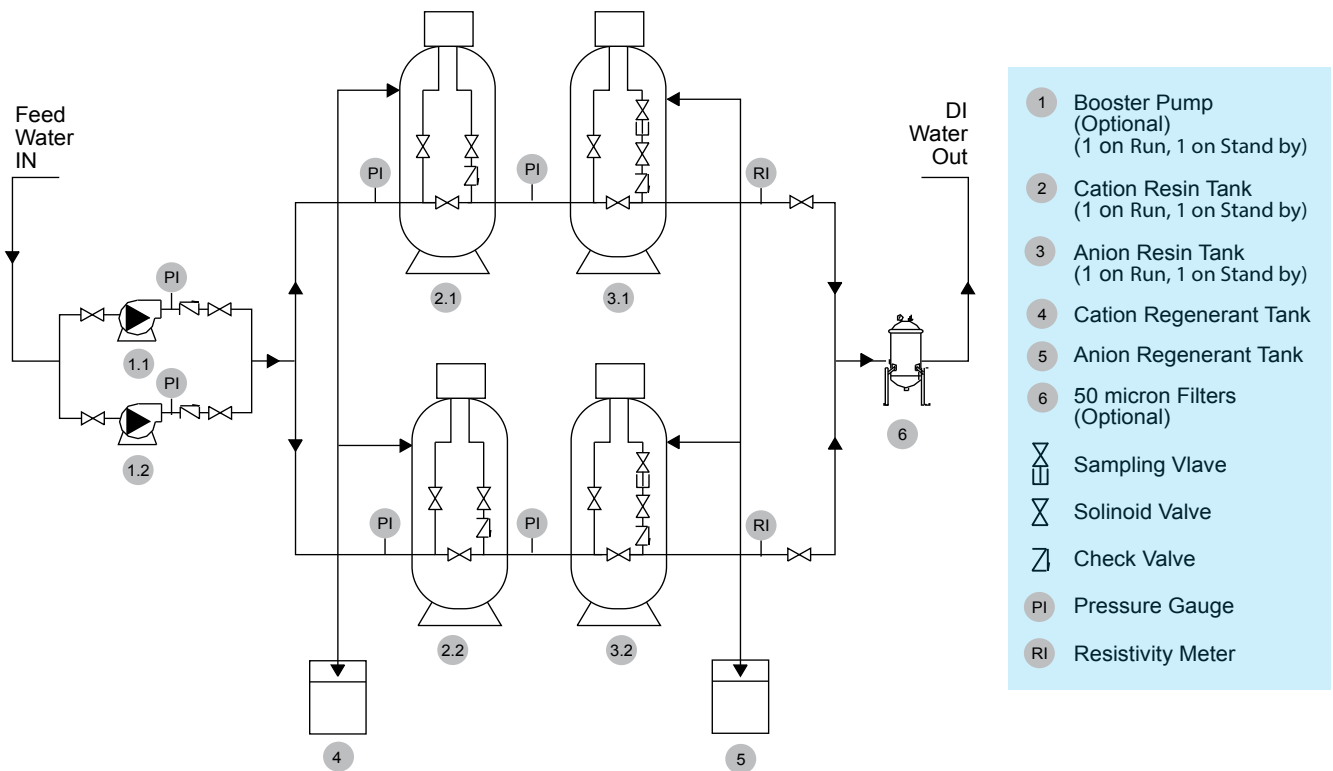
Duplex Dual-Bed Deionizer Series PD



Standard Features:

- Delivery duplex deionization (DI) water with the capacity of 1,500 - 30,000 litre per hour for commercial or industrial.
- No uninterrupted flow of DI water
- Compact non-corrosive components and fiberglass tank
- Automated electronic controlled valve for auto regeneration on preset water quality limit
- continuous monitoring of conductivity and resistivity
- Interlock wiring
- Automatic shut-off solinoid vale on Autovalve switch to prevent high back pressure
- Sampling port for system check
- Filter housing for sediment removal and turbidity reduction down to 50 microns
- Fully tested from factory
- Includes Installation and 1 year warranty

Duplex Dual-Bed Deionizer Flow Diagram



Applications

- Paints
- Chemicals
- Cosmetics
- Electronics
- Textiles
- Plating
- Ice Plants
- Printing
- Boiler feed
- Film processing
- Electrodeposition
- Metalworking lubricants
- Washes - cars to aircrafts
- Humidification control
- Testing and materials
- Research and development
- Glassware rinse
- Hospitals/Medical
- Horticulture/Greenhouse
- Food/Beverage processing



Duplex Dual-Bed Deionizer Series PD

Specification	Model						
	PD12	PD16	PD21	PD24	PD36	PD48	PD60
Filtration Tank							
Material	Fiberglass Reinforced Plastic (FRP)						
Flow rate (Litre/Hour)*	1500	2500	4500	6000	15,000	25,000	35,000
Capacity (Litre)	100	180	300	450	1000	1700	2500
Filter Media Capacity (Litre)	70	130	210	310	700	1200	1700
Max pressure (psi)	150 psi						
Dimension (inch)	12 x 52	16 x 65	21 x 62	24 x 72	36 x 72	48 x 72	60 x 96
Top Opening (inch)	2			4			
Weight (kg)	11.5	21	43.1	49.4	130	700	1000
Feed water	Pretreated water						
Regenerant Tank							
Material	Polyethylene						
Capacity (Litre)	150	200	350	500	1000	1500	2000
Automatic Control Valve							
Mode of operation	Automatic or manual						
In/Out connection (inch)	1		2			3	
Mounting base (inch)	2		4			6 FLG	
Functions	Service, Backwash, Regeneration, Regenerant Refill, Rinse						
Display	LED						
Timer	99						
Power	220 Volt, 50Hz						
Warranty**	1 Year						

* Upon Pump Pressure, ** Exclude filter media

Ordering information							
DI Resin	Model / Part number*						
	PD12	PD16	PD21	PD24	PD36	PD48	PD60
DI Cation	AF-PD121	AF-PD161	AF-PD211	AF-PD241	AF-PD361	AF-PD481	AF-PD601
DI Anion	AF-PD122	AF-PD162	AF-PD212	AF-PD242	AF-PD362	AF-PD482	AF-PD602

Each model Includes 1 FRP Tank, Auto valve, PB Tubing & connectors Plumbing System, Regenerant Tank and DI grade Resin.

Options



Water Softeners, Series P

Anthracite : for Sediment Removal
Manganese Green Sand : For Stain Removal
Activated Carbon : for Chlorine, Tastes and Odors Removal
Resin : for Hardness Removal



RO Systems

- Series PRO44, capacity of 0.25 - 1.5 m³/hr
- Series PRO48, capacity of 1.5 - 3.0 m³/hr
- Series PRO88, capacity of 6-18 m³/hr



Booster Pumps

For boosting the constant pressure to the filter tanks and offering smooth filtration and high efficiency. Consists of single or double pumps , diaphragm pressure tank, pump controller with pressure switch or float switch.



Stainless Steel Multi-Cartridge Filters and Housing

Commercial Stainless Steel Multi-Cartridge Filter and Housings provide a high quality solution for high-volume filtering at reduced pricing. Ideal for use in post- filtration and more. Housings will fit standard 30" or 40" filter cartridges. Filters cartridges are nominal micron rating 1-150 micron.



Skid Mounting

For integrating of tanks, plumbing and control panel as a unit.
Customs size and configuration are available upon request.

Please request more information

Acropore Technology Co.,Ltd.

Head Office: 8 Thaiyanon 12, Nonthaburi 46 Rd., Muang, Nonthaburi TEL: 02950-2121-2, FAX: +66 2950-2120
Khonkan Office: 157/18-19, Mitraphab Rd., Muang, Khonkan TEL: 043-042582, FAX: 043-042581
Surathani Office: 189/1, Tambol Watpradoo, Muang, Surathani TEL: 092 4146929, 02950-2121-2, FAX: 02950-2120
Email: sales.th@acropore.com

Allfyll Vietnam Co., Ltd.

HCMC Office: 161 Vo Van Tan street, Ward 6, District 3, HCMC TEL: +84-8-3933 3599, FAX: +84-8-3930 9610
Ha Noi Office: 160 Tay Son, Dong Da District, Hanoi TEL: +84-4-3533 5759, Fax: +84-4-3533 5760
Email: sales.vn@allfyll.com

Allfyll (Myanmar) Co., Ltd.

Yangon Office: 141, West Race Course Rd., Kyaik Ka San Ward, Bahan Township, Yangon TEL: +95-1-557539, FAX: +95-1-557-539
Email: sales.mm@allfyll.com

ACROPORE[®]
www.acropore.com



Br-PDEN-201505
© 2015
Printed in Thailand
05/2015