

VIBRATOR MOTOR

มอเตอร์สั่น

Crompton

**Power Behind
The Drive**



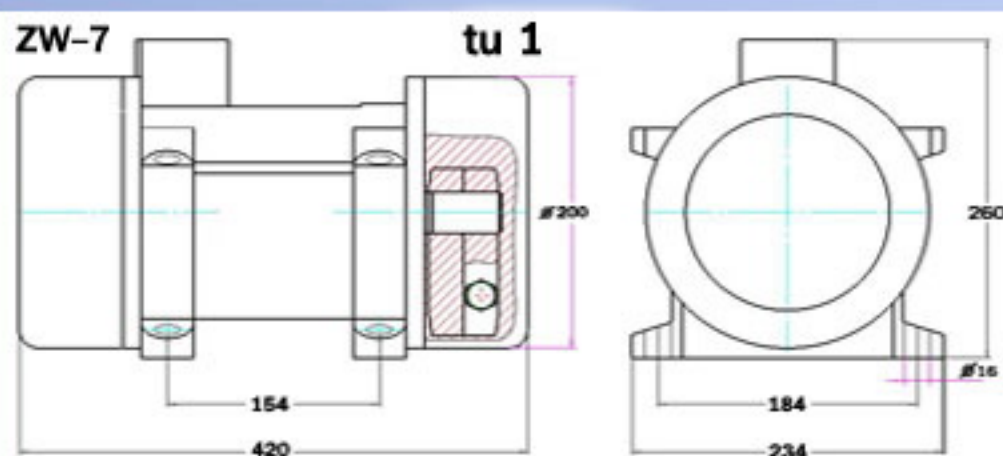
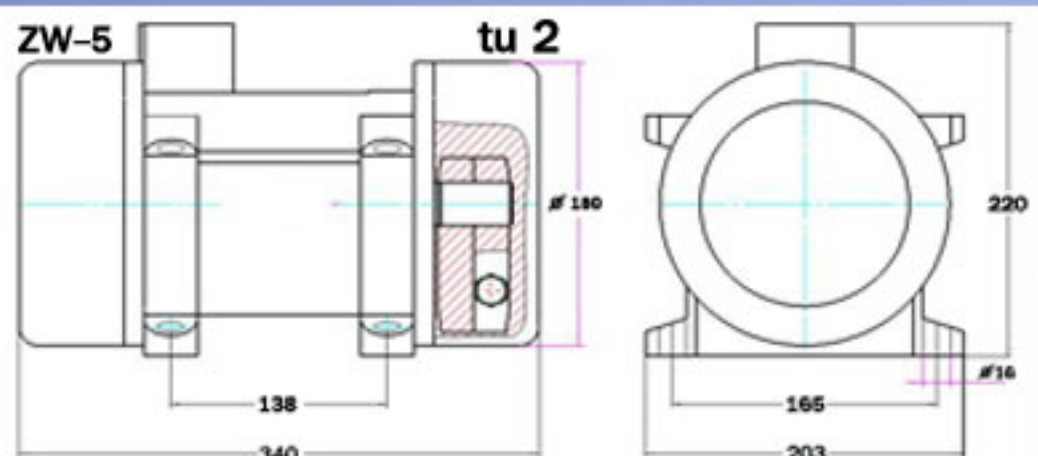
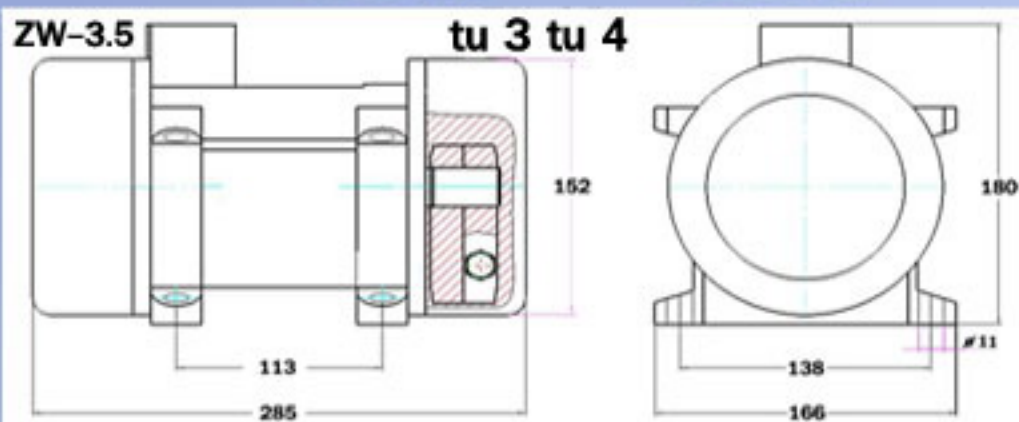
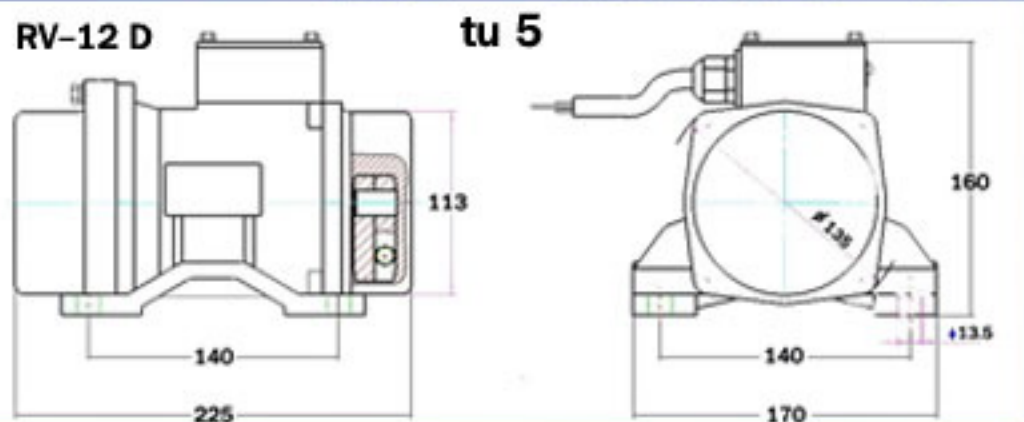
tu 1 tu 2 tu 3 tu 4 tu 5



380 V.



220 V.



Type	Vibration number	Vibration force(KN)	Rated Voltag (V)	Power (KW)	Current (A)	Ref. oic	PRICE ฿
YZO-4-2	2840	4	380	0.3	0.4	tu 5	
YZO-10-2		10		0.75	1.8	tu3tu4	
YZO-16-2		16		1.1	2.6	tu3tu4	
YZO-20-2		20		1.5	3.2	tu 2	
YZO-30-2		30		2.2	4.5	tu 2	
YZO-40-2		40		3	6.8	tu 1	
YZO-50-2		50		4	9.5	tu 1	
YZO-4-4	1400	4	380	0.18	0.9	tu 5	
YZO-10-4		10		0.55	2.1	tu3tu4	
YZO-16-4		16		0.75	2.9	tu3tu4	
YZO-20-4		20		1.1	3.7	tu 2	
YZO-30-4		30		1.5	5.1	tu 2	
YZO-40-4		40		2.2	6.8	tu 1	
YZO-50-4		50		3	8.8	tu 1	
YZO-4-6	880	4	380	0.12	1.1	tu 5	
YZO-10-6	910	10		0.37	2.3	tu3tu4	
YZO-16-6		16		0.55	3.2	tu3tu4	
YZO-20-6	930	20		0.75	4.0	tu 2	
YZO30-6		30		1.1	5.6	tu 2	
YZO-40-6		960		40	1.5	7.4	tu 1
YZO-50-6	50			2.2	9.7	tu 1	

Type	Vibration Frequency (R.P.M.)	Vibrate Force (KG / F)	Power (KW)	Rated Voltage (V)	Rated current (V)	PRICE ฿
ZW-3.5	2840	350	0.75	220	5.94	
ZW-3.5	2840	350	0.75	380	1.90	
ZW-5	2840	350	1.1	220	8.74	
ZW-5	2840	350	1.1	380	2.44	
ZW-7	2840	700	1.5	380	3.24	
ZW-10	2840	980	2.2	380	4.53	
ZW-15	2840	1380	3	380	6.80	
ZW-20	2840	1980	4	380	9.50	

Vibration stick	Diameter	35	50	70	mm
	Frequency	200	183	183	>Hz
	Vibrantmargin	0.8	1	1.2	<mm
	Weight	3	5	8	kg
Soft axle	Diameter	10	13	13	mm
	Diameter	30	36	36	mm
	Length	4000	4000	4000	mm
Motor	Power	1.1	1.1	1.5	Kw
	Voltage	220 / 380	220 / 380	380	V
	Speed	2840	2840	2840	R.P.M.
	Size (L x H x W)	320 x 180 x 280	320 x 180 x 280	320 x 180 x 280	MM
Total weight	28	28	35	Kg	