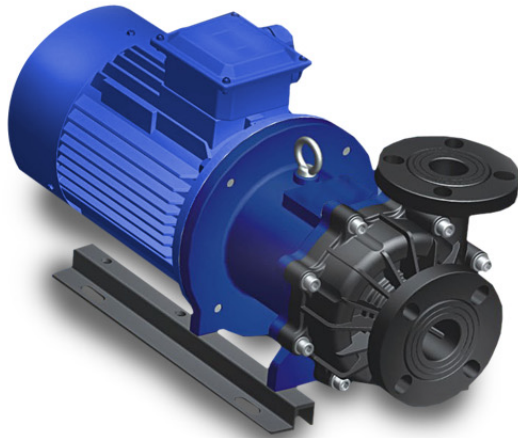




OKAWA MAGNETIC PUMP



MH SERIES MAGNETIC DRIVING PUMP HAS ENFORCED STRUCTURE, NEVER LEAK. It can be widely used in various application. Applied corrosion resistant material, such as FRPP, PTFE. It is suitable for photo industry, plating, PCB industry, etc.

STRUCTURE



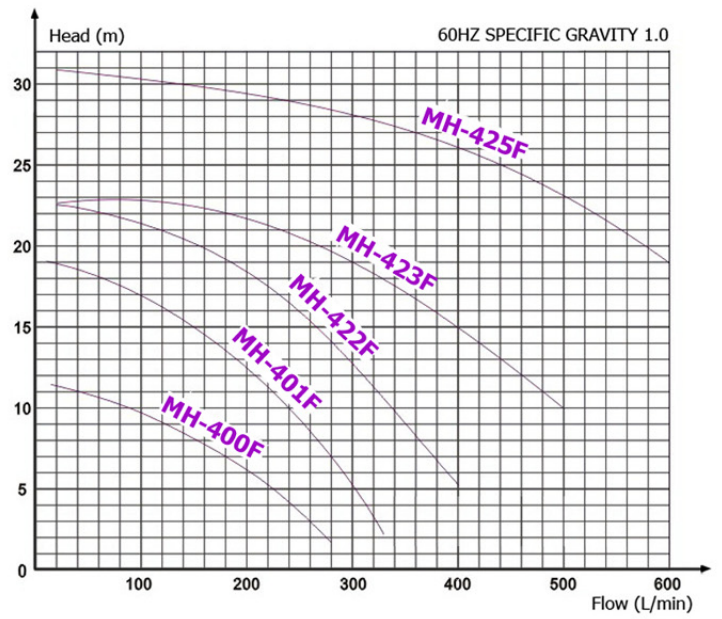
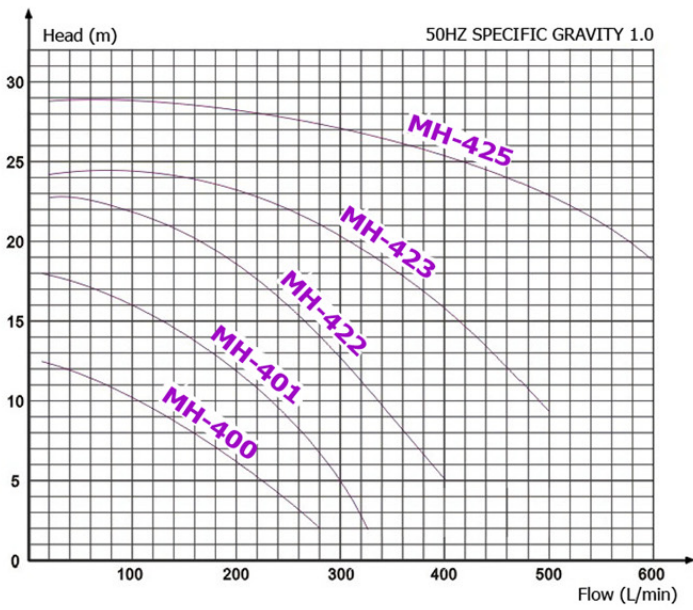
MH	1	2	3	4	5	6	7	8	9	10	11
Part name	Front casing	Impeller	Linner ring	Shaft	Bearing	O-ring	Rear casing	Sus Packing	Drive magnet	Bracket	Motro
Material	GFRPP	GFRPP	CERAMIC	ALUMINA CERAMIC	CFR PTFE/ CARBON/ CERAMIC/SIC	EPDM/FKM	GFRPP	SUS304	MAGNET	GFRPP CAST-IRON	FC

MH-F	1	2	3	4	5	6	7	8	9	10	11
Part name	Front casing	Impeller	Linner ring	Shaft	Bearing	O-ring	Rear casing	Sus Packing	Drive magnet	Bracket	Motro
Material	PTFE	PTFE	ALUMINA CERAMIC	ALUMINA CERAMIC/ SIC	CFR PTFE/ CARBON/ CERAMIC/SIC	EPDM/FKM	PTFE	SUS304	MAGNET	GFRPP CAST-IRON	FC

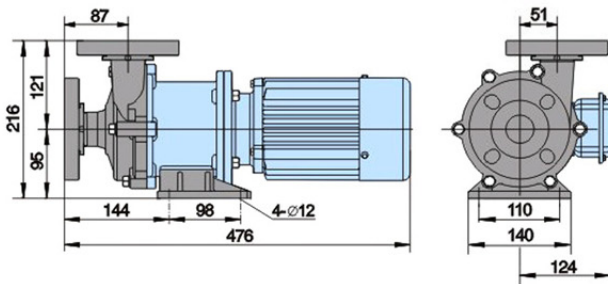
SPECIFICATION

Model	Flexible pipe		Screw thread		Max Flow (L/min)	Top Head (M)	Standard		Gravity	Motor	
	Inlet (mm)	Outlet (mm)	In*Out (inch)	socket joint (mm)			Flow (L/min)	Head (M)		Output (KW)	Phase
MH-400	50	50	G1-1/2*G1-1/2	40*40	280	12.5	150	8.5	<1.3	0.4,2P	1or3
MH-401	50	50	G1-1/2*G1-1/2	40*40	330	18	200	12	<1.3	0.75,2P	3
MH-422	63	50	G2*G1-1/2	50*40	400	23	200	18.5	<1.3	1.5,2P	3
MH-423	63	50	G2*G1-1/2	50*40	500	24	300	20.5	<1.3	2.2,2P	3
MH-425	63	50	G2*G1-1/2	50*40	600	29	400	25.5	<1.3	3.7,2P	3

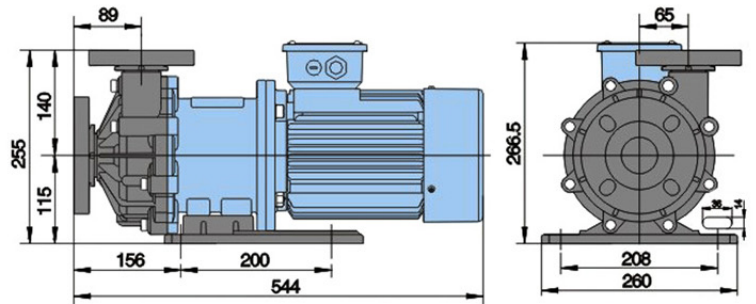
OKAWA Magnetic Pump



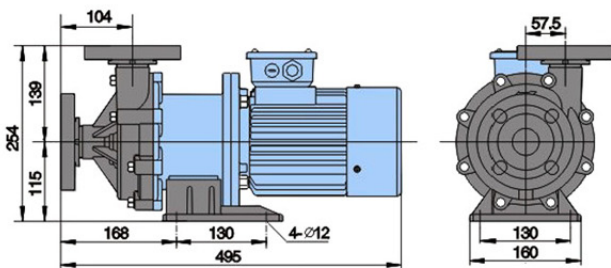
MH-400 Dimension



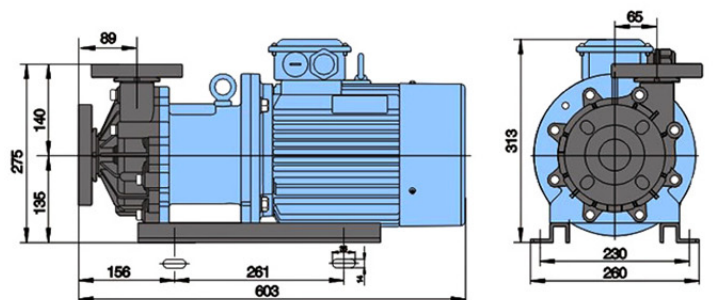
MH-422/423 Dimension



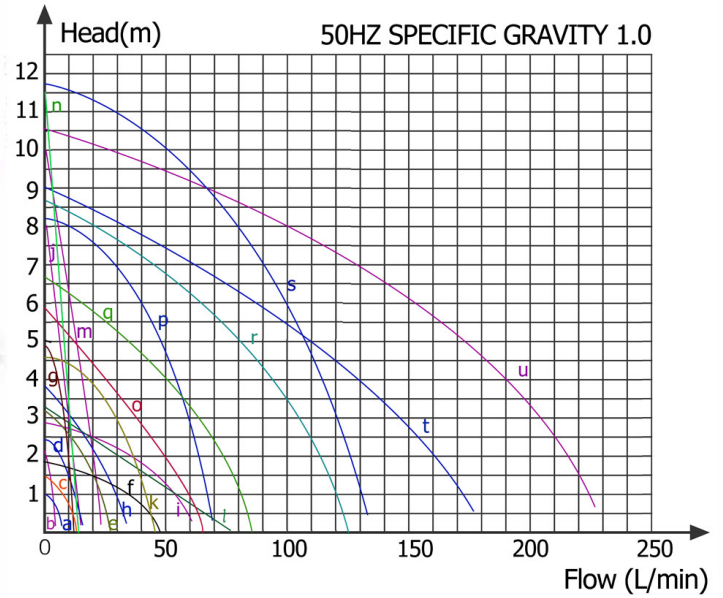
MH-401 Dimension



MH-425 Dimension



OKAWA MAGNETIC PUMP

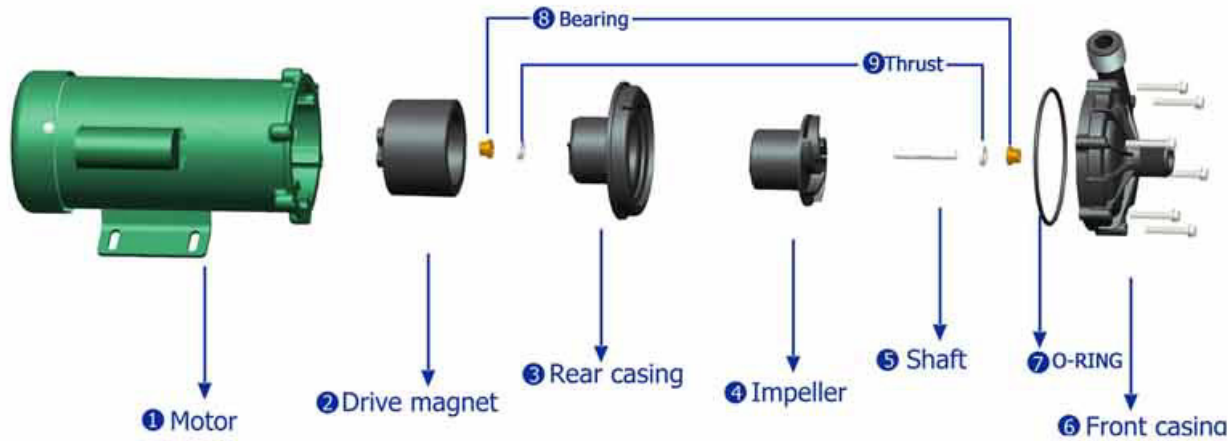


ML SERIES MAGNETIC DRIVING PUMP HAS A SEAL-LESS STRUCTURE, NEVER LEAK. It can be widely used in various application. Applied corrosion resistant material, such as GFRPP, CFRETFE. It is suitable for photo industry, plating, PCB industry, etc.

Specification

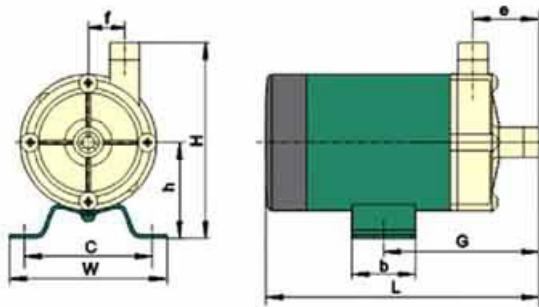
Model	CURVE	HOSE		THREADED		Max Flow (L/min)	Top Head (M)	Standard		Gravity	Power	
		Inlet (mm)	Outlet (mm)	In*Out (inch)	Union (mm)			Flow (L/min)	Head (M)		Output (W)	Phase
ML-3R	a	14	14	G1/2*G1/2	—	8.5	1	3	0.8	<1.1	3	1
ML-3RZ	b	14	14	G1/2*G1/2	—	5.8	2.1	3.5	1.5	<1.1	3	1
ML-10R	c	14	14	G1/2*G1/2	—	12	1.5	6	1	<1.1	10	1
ML-20R	d	14	14	G3/4*G3/4	13mm	17	2.4	8	1.5	<1.1	20	
ML-20R	e	18	18	G3/4*G3/4	16mm	28	3.1	17	2	<1.1	20	1
ML-20RX	f	26	26	G1*G1	20mm	47	1.8	30	1	<1.1	20	1
ML-20RZ	g	18	18	G3/4*G3/4	13mm	11	4.9	7	4	<1.1	20	1
ML-45R	h	20	20	G3/4*G3/4	16mm	35	3.8	16	2.5	<1.1	45	1
ML-45RX	i	26	26	G1*G1	20mm	62	2.9	32	2	<1.1	45	1
ML-45RZ	j	18	18	G3/4*G3/4	13mm	15	8	11	6	<1.1	45	1
ML-65R	k	20	20	G3/4*G3/4	16mm	45	4.6	22	4	<1.1	65	1
ML-65RX	l	26	26	G1*G1	20mm	78	3.3	48	2	<1.1	65	1
ML-65RZ	m	22	22	G3/4*G3/4	16mm	22	10	10	8	<1.1	65	1
ML-65RY	n	22	22	G3/4*G3/4	16mm	13	11.5	8	10	<1.1	65	1
ML-90R	o	26	26	G1*G1	20mm	65	5.8	30	4	<1.2	90	1or3
ML-90RX	p	26	26	G1*G1	20mm	70	8.2	48	4	<1.2	90	1or3
ML-150R	q	26	26	G1*G1	20mm	86	6.7	53	4	<1.2	150	1or3
ML-250R	r	26	26	G1*G1	20mm	125	8.6	65	6.5	<1.3	250	1or3
ML-250RX	s	26	26	G1*G1	20mm	135	11.7	65	9	<1.3	250	1or3
ML-250RZ	t	26	26	G1 ¹ / ₄ *G1 ¹ / ₄	32mm	180	9	110	5	<1.3	250	1or3
ML-370R	u	26	26	G1 ¹ / ₂ *G1 ¹ / ₂	36mm	230	10.5	150	6	<1.3	370	1or3

Struction

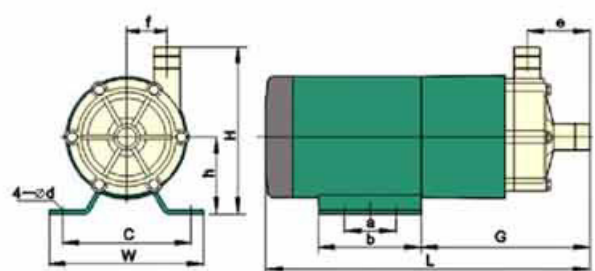


NUMBER	1	2	3	4	5	6	7	8	9
Part Name	Motor	Drive Magnet	Rear Casing	Impeller	Shaft	Front Casing	O-RING	Bearing	Thrust
Material	FC	Magnet	GFRPP/CFRETFE	GFRPP/CFRETFE	Alumina ceramic	GFRPP/CFRETFE	EPDM/FKM	Alumina ceramic	Alumina ceramic

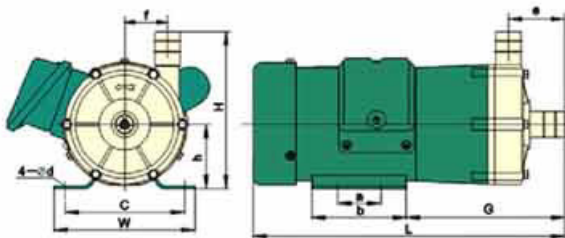
Dimension



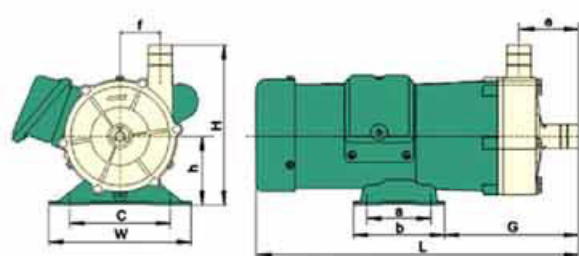
Model	W	H	L	a	b	c	h	e	f	G	d
ML-3	74	83	129	-	30	60	36	31	17	74	6
ML-6	74	83	129	-	30	60	36	31	17	74	6



Model	W	H	L	a	b	c	h	e	f	G	d
ML-10	82	100	196	49	64	68	45	38	23	89	6
ML-20	106	116	226	44	60	90	45	38	28.5	112	7
ML-45	120	130	250	40	64	100	60	48	31	137	9
ML-65	120	130	250	40	64	100	60	48	31	137	9



Model	W	H	L	a	b	c	h	e	f	G	d
ML-90	120	161	275	40	64	100	65	57	43	166	9
ML-150	142	161	267	70	96	108	65	57	43	129	9



Model	W	H	L	a	b	c	h	e	f	G	d
ML-250	156	174	322	70	100	110	45	65	44	146	9
ML-370	140	210	399	98	128	110	95	80	51	129	12