



Removable dry dial type woltman water meters(LXLC-50--300)



Summary:

--Measuring the volume of cold (hot)water passing through the pipeline.

Product Features:

- 1.Removable element structure, easy installation and maintenance
- 2.Dry-dial, Magnetic drive
- 3.Large flow capacity, small pressure loss
- 4.Resist water hummer and pollution
- 5.Vacuum sealed register ensures the dial keep free from condensation and keep the reading clear in a long term service
- 6.Selected high quality materials for steady and reliable characteristic
- 7.Technical data conform to international standard ISO 4064:(2014).
- 8.The meters can be equipped with a kind of remote transmission device, the pulse generating volume could be 10L/pulse, 100L/pulse, 1000L/pulse

Working condition:

Water temperature: 0.1°C~50°C (0.1°C~90°C for hot water meter)

Water pressure: ≤1.0Mpa (1.6MPa on request)

Maximum permissible errors:

in the lower zone from Q_{min} inclusive up to but excluding q_t is ±5%

in the upper zone from q_t inclusive up to and including q_s is ±2% (±3% for hot water meter)

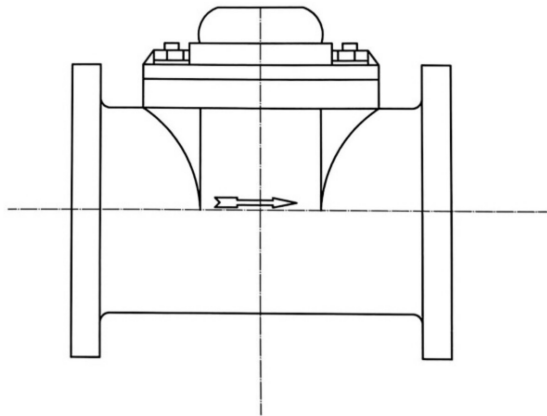
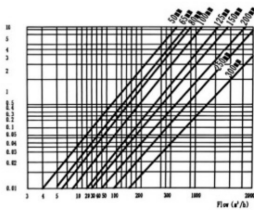
Technical Data:

Size (mm)	Class	Overload Flow (m ³ /h)	Permanent flow (m ³ /h)	Transitional Flow (m ³ /h)	Minimum Flow (m ³ /h)	Min Reading (m ³)	Max Reading (m ³)
50	B	31.25	25	0.8	0.5	0.001	999999
65	B	50	40	1.28	0.8	0.001	999999
80	B	78.75	63	2.016	1.26	0.001	999999
100	B	125	100	3.2	2	0.001	999999
125	B	200	160	5.12	3.2	0.01	999999
150	B	312.5	250	8	5	0.01	999999
200	B	500	400	12.8	8	0.01	999999
250	B	787.5	630	20.16	12.6	0.01	9999999
300	B	1250	1000	32	20	0.01	9999999



Overall Dimensions and weight:

Type	Size	Length (mm)	Width (mm)	Height (mm)	Outer diameter of flange D(mm)	The center diameter of connecting bolt D1(mm)	Connecting bolt (Pcs)	Weight (kg)
LXLC(R)-50	50	200	165	215	165	125	4xM16	12
LXLC(R)-65	65	200	185	223	185	145	4xM16	13
LXLC(R)-80	80	225	200	233	200	160	8xM16	15
LXLC(R)-100	100	250	220	288	220	180	8xM16	19
LXLC(R)-125	125	250	250	298	250	210	8xM16	23
LXLC(R)-150	150	300	285	342	285	240	8xM20	30
LXLC(R)-200	200	350	340	370	340	295	12xM20	42
LXLC(R)-250	250	400	395	413.5	395	350	12xM20	51
LXLC(R)-300	300	450	445	463.5	445	400	12xM20	63



Installation and use

1. Firstly, according to the size of the pipeline, choose right DN. Regard Q_p as a suitable flow data.
2. In order to ensure the accuracy of the water meter measuring, the meter length of the upstream end shall be not less than five times the nominal diameter of straight pipe, avoid elbow, tee, at the same time, the cone tube, and pump disturbance to the water meter.
3. Before installation, the Pipeline must be cleared and User must remove stones, such as silt sundry, in order to prevent the water meter damage or malfunction.
4. Water meter can be installed in horizontal or vertical lines, horizontal installation, the dial facing upward, vertical installation, the bottom is water inlet, the upper end is water outlet. The dial facing upward is convenient to observe and reading data.