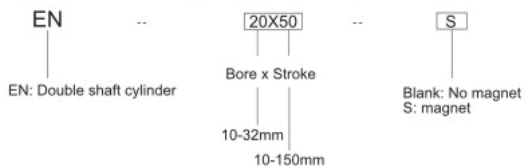


EN 16x50

How to Order?



* EN type double shaft cylinder, basic type, 20mm bore, 50mm stroke, Model: EN 20X50
* EN type double shaft cylinder, 25mm bore, 60mm stroke, with magnet, Model: EN 25x60-S

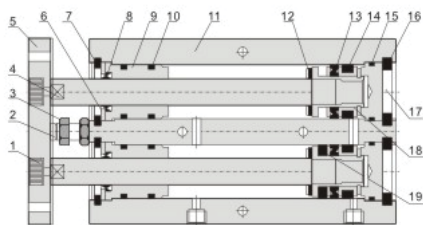
Product Features

- * Double shaft provide good anti-bend performance and guarantee long life cycle and correct direction
- * Suitable slot is designed for magnetic sensor and fixing
- * Embedding mounting and no need other brackets, room saving
- * Easy to assemble and easy to maintain

Specifications

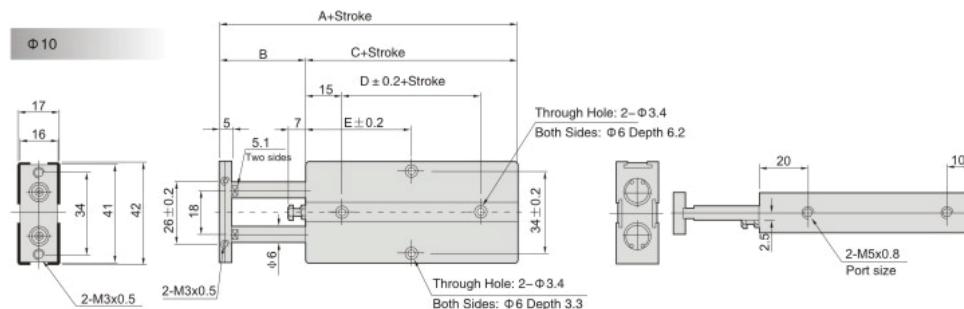
| Bore(mm) | 10 | 16 | 20 | 25 | 32 |
|---------------------------|------------------------------|----|------|----|-------|
| Acting type | Double acting | | | | |
| Working medium | Clean air (25 μm filtration) | | | | |
| Working pressure (Bar) | 1-9 | | | | |
| Guaranteed pressure (Bar) | 10.5 | | | | |
| Working temperature (°C) | -5~70 | | | | |
| Speed range (mm/s) | 100-500 | | | | |
| Adjusting stroke (mm) | -10~0 | | | | |
| Cushion type | Absorb shocks gasket | | | | |
| No-return precision | 0.4° | | 0.3° | | |
| Port Size | M5x0.8 | | | | G 1/8 |

Internal structure



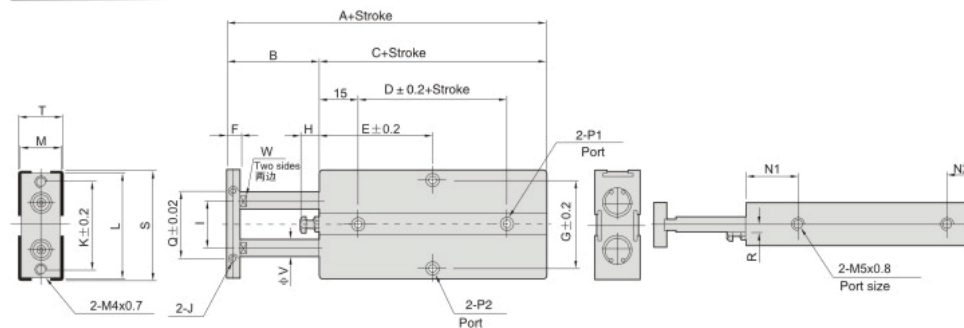
| No | Designation | No | Designation |
|----|----------------------|----|-------------------|
| 1 | Hexagon nut | 11 | Barrel |
| 2 | Anti-bump cushion | 12 | Anti-bump cushion |
| 3 | Screw | 13 | Piston seal |
| 4 | Piston rod | 14 | Wear ring |
| 5 | Cylinder fixed plate | 15 | Rear cover O-ring |
| 6 | Head cover cushion | 16 | C-type buckle |
| 7 | C-type buckle | 17 | Rear cover |
| 8 | Piston rod seal | 18 | Piston |
| 9 | Head cover | 19 | Magnet |
| 10 | Head cover O-ring | | |

Main Dimensions (mm)



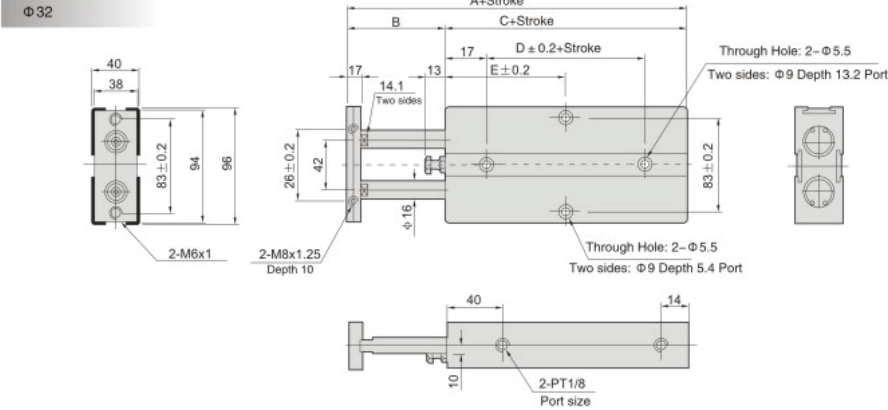
| Bore /Sign | A | B | C | D | E | | | | | | |
|------------|----|----|----|----|----|----|----|----|----|----|----|
| | | | | | 10 | 20 | 30 | 40 | 50 | 60 | 70 |
| 10 | 63 | 12 | 51 | 10 | 30 | 30 | 35 | 40 | 45 | 50 | 55 |

Φ 16, Φ 25



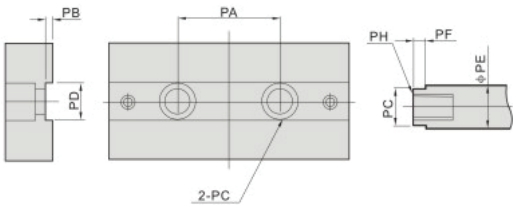
| Bore /Sign | A | B | C | D | E | | | | | | | | | | F | G | H | I | | |
|------------|----|----|----|----|----|----|----|----|----|----|----|----|----|-----|------|-----|----|----|-----|-----|
| | | | | | 10 | 20 | 30 | 40 | 50 | 60 | 70 | 80 | 90 | 100 | | | | | 125 | 150 |
| 16 | 68 | 15 | 53 | 20 | 30 | 35 | 40 | 45 | 50 | 55 | 60 | 65 | 70 | 75 | 87.5 | 100 | 8 | 47 | 7 | 24 |
| 20 | 78 | 20 | 58 | 20 | 35 | 35 | 40 | 45 | 50 | 55 | 60 | 65 | 70 | 75 | 87.5 | 100 | 10 | 55 | 10 | 28 |
| 25 | 81 | 19 | 62 | 30 | 40 | 40 | 45 | 50 | 55 | 60 | 65 | 70 | 75 | 80 | 92.5 | 105 | 10 | 66 | 9 | 34 |

| Bore /Sign | J | K | L | M | N1 | N2 | P1 | | P2 | | Q | R | S | T | V | W |
|------------|----------------|----|----|----|----|----|--|---------------------|--|---------------------|----|-----|----|----|----|------|
| | | | | | | | Two side: φ 7.5 Depth 7.2mm, Through hole: φ 4.5 | Through hole: φ 4.5 | Two side: φ 8 Depth 4.4mm, Through hole: φ 4.5 | Through hole: φ 4.5 | | | | | | |
| 16 | M4X0.7 Depth 5 | 47 | 53 | 20 | 22 | 11 | Two side: φ 7.5 Depth 7.2mm, Through hole: φ 4.5 | Through hole: φ 4.5 | Two side: φ 8 Depth 4.4mm, Through hole: φ 4.5 | Through hole: φ 4.5 | 34 | 3 | 54 | 21 | 8 | 6.1 |
| 20 | M4X0.7 Depth 5 | 55 | 61 | 24 | 25 | 12 | Two side: φ 7.5 Depth 7.2mm, Through hole: φ 4.5 | Through hole: φ 4.5 | Two side: φ 8 Depth 4.4mm, Through hole: φ 4.5 | Through hole: φ 4.5 | 44 | 3.5 | 62 | 25 | 10 | 8.1 |
| 25 | M4X0.7 Depth 6 | 66 | 72 | 29 | 27 | 12 | Two side: φ 7.5 Depth 7.2mm, Through hole: φ 4.5 | Through hole: φ 4.5 | Two side: φ 8 Depth 4.4mm, Through hole: φ 4.5 | Through hole: φ 4.5 | 56 | 7 | 73 | 30 | 12 | 10.1 |



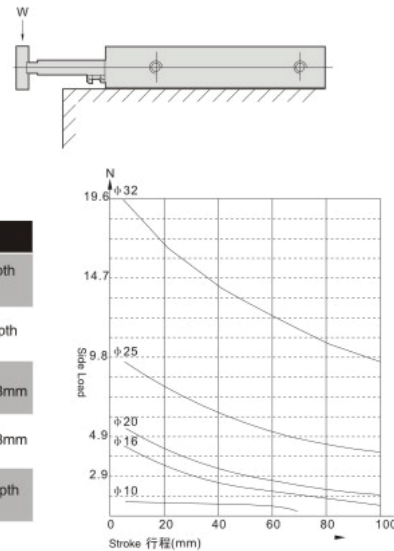
| Bore /Sign | A | B | C | D | E | | | | | | | | | | | | |
|------------|-----|----|----|----|----|----|----|----|----|----|----|----|----|-----|-------|-----|--|
| | | | | | 10 | 20 | 30 | 40 | 50 | 60 | 70 | 80 | 90 | 100 | 125 | 150 | |
| 32 | 108 | 30 | 78 | 35 | 45 | 50 | 55 | 60 | 65 | 70 | 75 | 80 | 85 | 90 | 102.5 | 115 | |

Dimension of Front Plate

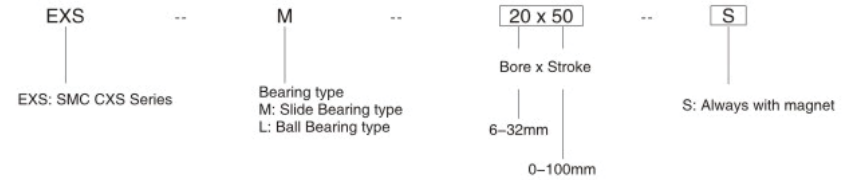


| Bore/Sign | PA | PB | PC | PD | PE | PF | PG | PH |
|-----------|----|-----|--|------|----|-----|------|--------------------|
| 10 | 18 | 0.7 | $\Phi 6.2$ Depth 3.5mm, Through Hole: $\Phi 3.3$ | 5.2 | 6 | 2.2 | 5.1 | M3x0.5 Depth 5mm |
| 16 | 24 | 1 | $\Phi 7.8$ Depth 4.6mm, Through Hole: $\Phi 4.3$ | 6.2 | 8 | 3 | 6.1 | M4x0.7 Depth 6mm |
| 20 | 28 | 1 | $\Phi 11$ Depth 6.8mm, Through Hole: $\Phi 6.5$ | 8.2 | 10 | 3 | 8.1 | M6x1 Depth 8mm |
| 25 | 34 | 1 | $\Phi 11$ Depth 6.8mm, Through Hole: $\Phi 6.5$ | 10.2 | 12 | 3 | 10.1 | M6x1 Depth 8mm |
| 32 | 42 | 2 | $\Phi 17$ Depth 12mm, Through Hole: $\Phi 10.5$ | 14.2 | 16 | 3 | 14.1 | M10x1.5 Depth 14mm |

Permit Side Load



How to Order?



* EXS Series, Slide Bearing type, 6mm Bore, 30mm stroke, Model: EXSM 6x30-S
 * EXS Series, Ball Bearing type, 15mm Bore, 35mm stroke, Model: EXSL15x35-S

Product Features

- * Compact double cylinder structure
- * High precision of no-returning
- * Double output power
- * Strong resistance of side load

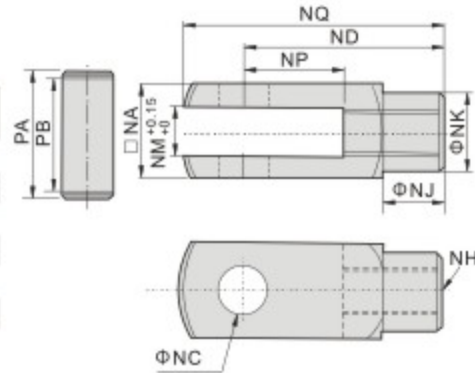
Specifications

| Bore(mm) | 6 | 10 | 15 | 20 | 25 | 32 | | |
|---------------------------|--|---------------|-----------|------------|------------|------------|------------|------------|
| Acting type | 复动型 Double acting | | | | | | | |
| Working Medium | 经25 μ m滤芯过滤的空气 Clean air (25 μ m filtration) | | | | | | | |
| Working Pressure (Bar) | 1.5-7 | 1-7 | | 10.5 | | 0.5-7 | | |
| Guaranteed Pressure (Bar) | 10.5 | | | | | | | |
| Working Temperature (°C) | 5-60°C | | | | | | | |
| Cushion type | 两端橡胶缓冲 Both Ends Cushion | | | | | | | |
| Structure | 双气缸(两倍出力) Double Power | | | | | | | |
| Lubrication | 不需要 Not required | | | | | | | |
| Adjustable Cushion | 缩回行程0-5mm Return Stroke 0-5mm | | | | | | | |
| Bearing | 滑动轴承/滚珠导向轴承 Slide Bearing type / Ball Bearing type | | | | | | | |
| No-rotating accuracy | type | Slide Bearing | ± 0.1 | ± 0.15 | ± 0.13 | ± 0.11 | ± 0.1 | ± 0.08 |
| | Ball bushing Bearing type | ± 0.1 | ± 0.1 | ± 0.07 | ± 0.06 | ± 0.05 | ± 0.04 | |
| Port Size | M5x0.8 | | | | | G1/8 | | |



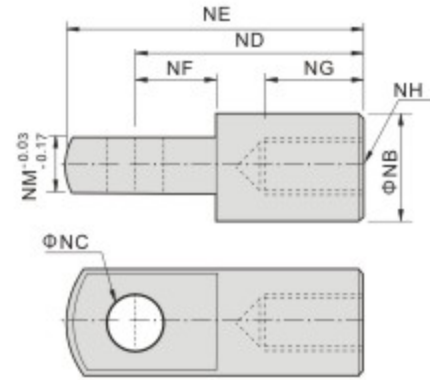
Dimension of Y rod end Fitting

| Bore/Sign | NA | NC | ND | NH | NJ | NK | NM | NP | NQ | PA | PB |
|-----------|------|----|----|----------|----|----|----|----|-----|------|------|
| 32 | 19 | 10 | 40 | M10x1.25 | 12 | 18 | 10 | 20 | 52 | 26.2 | 20 |
| 40 | 25.4 | 12 | 48 | M12x1.25 | 20 | 23 | 12 | 24 | 62 | 32.8 | 26.5 |
| 50 | 32 | 16 | 64 | M16x1.5 | 22 | 30 | 16 | 32 | 83 | 39.3 | 33 |
| 63 | 32 | 16 | 64 | M16x1.5 | 22 | 30 | 16 | 32 | 83 | 39.3 | 33 |
| 80 | 44.4 | 20 | 80 | M20x1.5 | 30 | 39 | 20 | 40 | 105 | 53.3 | 45 |
| 100 | 44.4 | 20 | 80 | M20x1.5 | 30 | 39 | 20 | 40 | 105 | 53.3 | 45 |



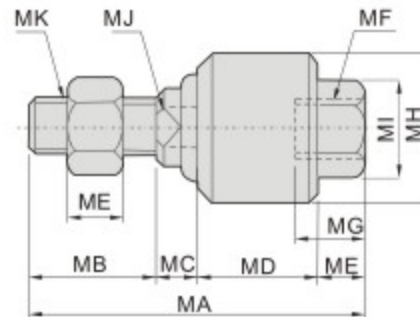
Dimension of I rod end Fitting

| Bore/Sign | NB | NC | ND | NE | NF | NG | NH | NM |
|-----------|----|----|----|-----|----|----|----------|----|
| 32 | 20 | 10 | 40 | 52 | 15 | 20 | M10x1.25 | 10 |
| 40 | 24 | 12 | 48 | 67 | 24 | 20 | M12x1.25 | 12 |
| 50 | 32 | 16 | 64 | 89 | 32 | 23 | M16x1.5 | 16 |
| 63 | 32 | 16 | 64 | 89 | 32 | 23 | M16x1.5 | 16 |
| 80 | 40 | 20 | 80 | 112 | 40 | 30 | M20x1.5 | 20 |
| 100 | 40 | 20 | 80 | 112 | 40 | 30 | M20x1.5 | 20 |



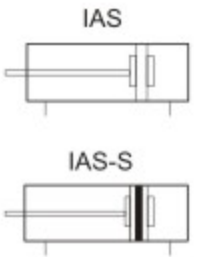
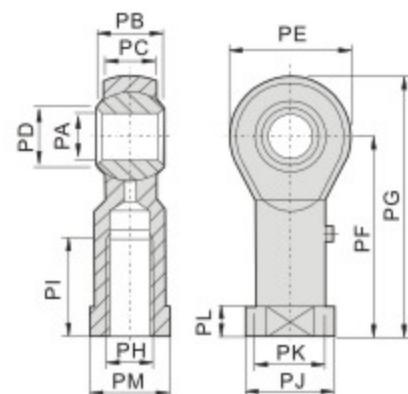
Dimension of Floating Fitting

| Bore/Sign | MA | MB | MC | MD | ME | MF | MG | MH | MJ | MK | MI |
|-----------|-----|----|----|----|----|----------|----|----|----|----------|----|
| 32 | 58 | 22 | 7 | 21 | 8 | M10x1.25 | 12 | 26 | 10 | M10x1.25 | 17 |
| 40 | 58 | 22 | 8 | 21 | 7 | M12x1.25 | 12 | 28 | 12 | M12x1.25 | 19 |
| 50 | 90 | 27 | 10 | 41 | 12 | M16x1.5 | 14 | 45 | 15 | M16x1.5 | 27 |
| 63 | 90 | 27 | 10 | 41 | 12 | M16x1.5 | 14 | 45 | 15 | M16x1.5 | 27 |
| 80 | 102 | 29 | 13 | 46 | 14 | M20x1.5 | 18 | 53 | 22 | M20x1.5 | 33 |
| 100 | 102 | 29 | 13 | 46 | 14 | M20x1.5 | 18 | 53 | 22 | M20x1.5 | 33 |

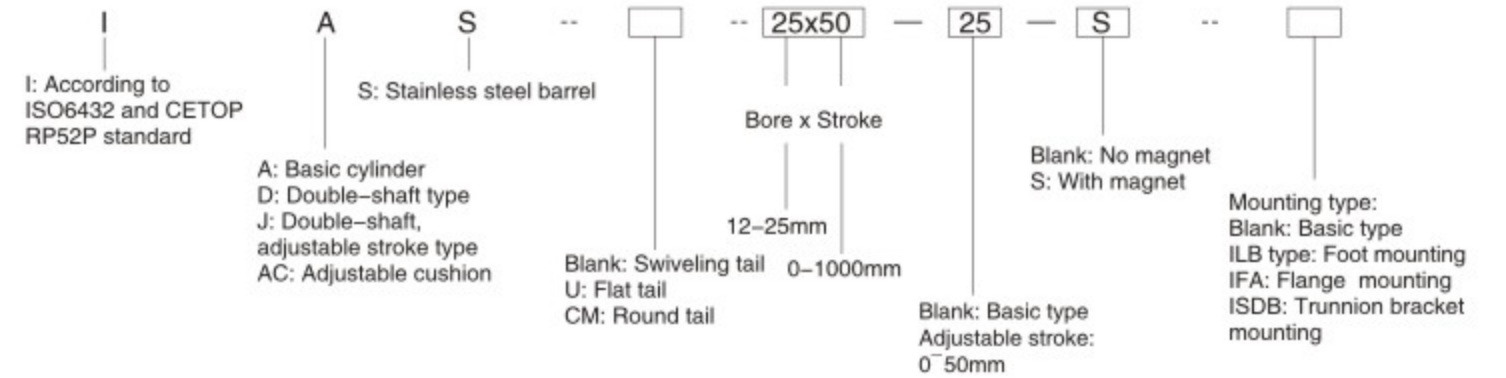


Dimension of Bearing Fitting

| Bore/Sign | PA | PB | PC | PD | PE | PF | PG | PH | PI | PJ | PK | PL | PM |
|-----------|----|----|----|------|----|----|-----|----------|----|----|------|-----|----|
| 32 | 10 | 14 | 11 | 12.9 | 26 | 43 | 56 | M10x1.25 | 21 | 19 | 15 | 6.5 | 17 |
| 40 | 12 | 16 | 12 | 15.4 | 30 | 50 | 65 | M12x1.25 | 24 | 22 | 17.5 | 6.5 | 19 |
| 50 | 16 | 21 | 15 | 19.3 | 38 | 64 | 83 | M16x1.5 | 33 | 27 | 22 | 8 | 22 |
| 63 | 16 | 21 | 15 | 19.3 | 38 | 64 | 83 | M16x1.5 | 33 | 27 | 22 | 8 | 22 |
| 80 | 20 | 25 | 18 | 24.3 | 46 | 77 | 100 | M20x1.5 | 40 | 34 | 27.5 | 10 | 32 |
| 100 | 20 | 25 | 18 | 24.3 | 46 | 77 | 100 | M20x1.5 | 40 | 34 | 27.5 | 10 | 32 |



How to Order?



- * I Series cylinder stainless steel barrel, basic type, 12mm bore, 50mm stroke, model: IAS 12X50
- * I Series cylinder stainless steel barrel, adjustable cushion, 25mm bore, 70mm stroke, with magnet, model: IACS 25X70-S

Product Features

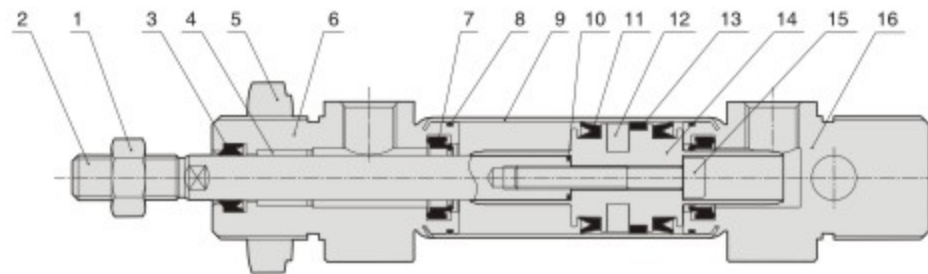
- * Aluminum cover and stainless steel barrel.
- * 12mm-25mm are according to ISO6432 and CETOP RP52P standard, 32mm-40mm are E.MC standard.
- * 16mm-25mm are with adjustable cushion, other size cushion is optional
- * I series mini cylinder can be easily changed to different appearance according to customers requirement
- * With self-lubricating bearing, the piston rod is lubrication free.
- * Magnet and sufficient fixing styles are available.

○ Specifications

| | | | | |
|---------------------------|--|----|-------|----|
| Bore Size (mm) | 12 | 16 | 20 | 25 |
| Acting type | Double Acting / Single Acting | | | |
| Working medium | Clean Air (25 μm filtration) | | | |
| Mounting type | (Basic type) IFA ISDB ILB | | | |
| Working pressure (Bar) | 1-9.0 | | | |
| Guaranteed pressure (Bar) | 13.5 | | | |
| Working temperature (°C) | 0 ~ 80 (dry air-20) | | | |
| Speed range (mm/s) | 10 ~ 1000 | | | |
| Cushion type | 16mm-25mm bore are with adjustable cushion, other size cushion is optional | | | |
| Material | IAS: Stainless steel barrel. | | | |
| Port size | M5 x 0.8 | | G 1/8 | |

○ Internal Structure

Φ16-Φ25

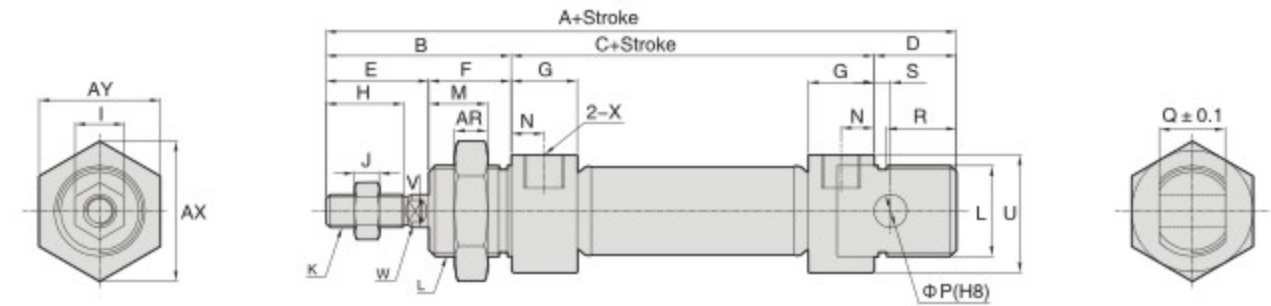


| No | Designation |
|----|--------------------------|
| 1 | Nut |
| 2 | Piston rod |
| 3 | Piston rod seal |
| 4 | Self-lubricating bearing |
| 5 | Head cover screw |
| 6 | Head cover |
| 7 | Cushion seal |
| 8 | O-ring |
| 9 | Barrel |
| 10 | O-ring |
| 11 | Piston rod seal |
| 12 | Magnet (Optional) |
| 13 | Wear ring |
| 14 | Piston |
| 15 | Hexagon screw |
| 16 | Rear cover |

○ Main Parts Material

| Part name | Material |
|--------------------------|-------------------------------|
| Head cover | Aluminum alloy |
| Rear cover | Aluminum alloy |
| Piston | Aluminum alloy |
| Piston rod | S45C hard chrome carbon steel |
| Barrel | Stainless steel |
| Piston rod seal | NBR |
| Cushion seal | NBR |
| Piston rod O-ring | NBR |
| Cover O-ring | NBR |
| Piston seal | NBR |
| Wear ring | PA66 |
| Self lubricating bearing | PTFE+ Brass |
| Magnet (optional) | ⓂbF |
| Cushion needle | Brass |
| Hexagon screw | Carbon steel |
| Nut | Carbon steel |

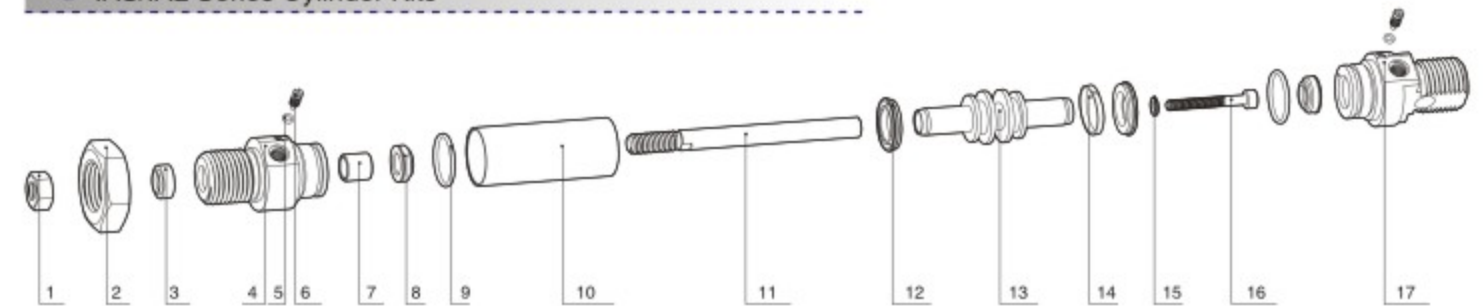
○ Main Dimensions



| Bore/ Sign | A | B | C | D | E | F | G | H | I | J | K | L |
|------------|-----|----|----|----|----|----|------|------|----|---|----------|---------|
| 12 | 105 | 38 | 50 | 17 | 21 | 17 | 10.5 | 14.5 | 10 | 5 | M6 | M16*1.5 |
| 16 | 112 | 39 | 56 | 17 | 22 | 17 | 11 | 14.5 | 10 | 5 | M6 | M16*1.5 |
| 20 | 133 | 45 | 68 | 20 | 25 | 20 | 16 | 18 | 14 | 6 | M8 | M22*1.5 |
| 25 | 142 | 52 | 68 | 22 | 30 | 22 | 16 | 20 | 17 | 6 | M10*1.25 | M22*1.5 |

| Bore/ Sign | M | N | P | Q | R | S | U | V | W | X | AR | AX | AY |
|------------|----|---|---|----|------|-----|------|----|---|------|----|----|----|
| 12 | 12 | 8 | 6 | 12 | 15 | 3 | 18.3 | 6 | 5 | M5 | 8 | 27 | 24 |
| 16 | 12 | 6 | 6 | 12 | 13.5 | 4 | 21 | 6 | 5 | M5 | 8 | 27 | 24 |
| 20 | 15 | 8 | 8 | 16 | 17 | 3 | 28.6 | 8 | 6 | G1/8 | 10 | 35 | 31 |
| 25 | 15 | 8 | 8 | 16 | 18.5 | 3.5 | 28.6 | 10 | 8 | G1/8 | 10 | 35 | 31 |

○ IAS/IAL Series Cylinder Kits



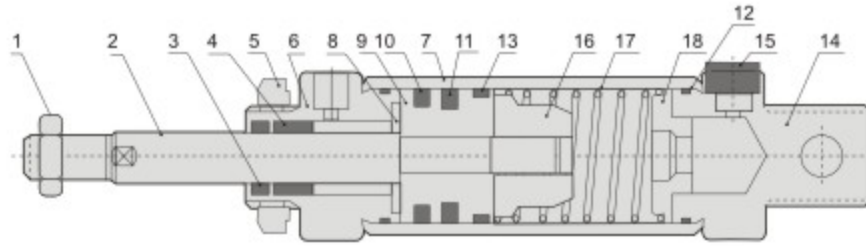
| No | 1 | 2 | 3 | 4 | 5 | 6 | 7 | 8 |
|-------------|-----|-----|-----------------|------------|--------|------------------|--------------------------|--------------|
| Designation | Nut | Nut | Piston rod seal | Head cover | O-ring | Adjustable screw | Self lubricating bearing | Cushion ring |

| No | 9 | 10 | 11 | 12 | 13 | 14 | 15 | 16 | 17 |
|-------------|--------|--------|------------|-------------|--------|-----------|----------------|---------------|------------|
| Designation | O-ring | Barrel | Piston Rod | Piston seal | Piston | Wear ring | Spring cushion | Hexagon screw | Rear cover |

RSAS



Internal structure

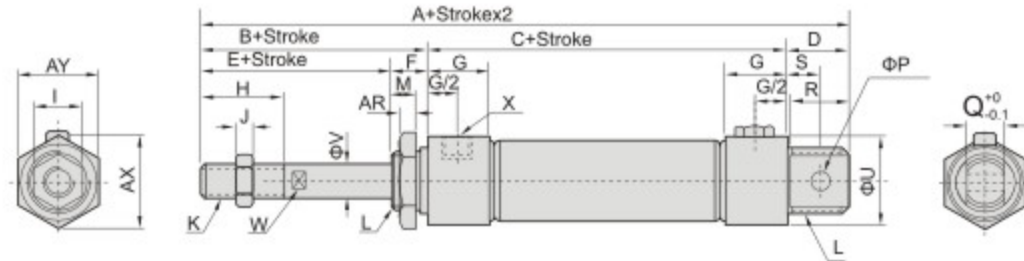


| No | Designation |
|----|--------------------------|
| 1 | Nut |
| 2 | Piston rod |
| 3 | Piston rod seal |
| 4 | Self lubricating bearing |
| 5 | Head cover nut |
| 6 | Head cover |
| 7 | Barrel |
| 8 | Anti-bump cushion |
| 9 | Piston |
| 10 | Piston seal |
| 11 | Magnet |
| 12 | Cover O-ring |
| 13 | Wear ring |
| 14 | Rear cover |
| 15 | Muffler |
| 16 | Spring connection seat |
| 17 | Spring |
| 18 | Spring seat |

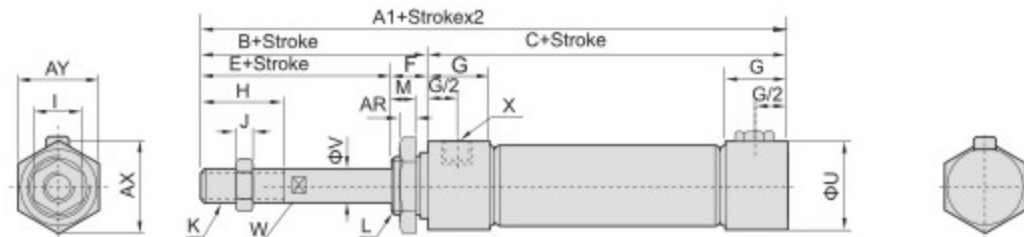
Main dimensions

Φ16~Φ40

Swivelling Tail Type



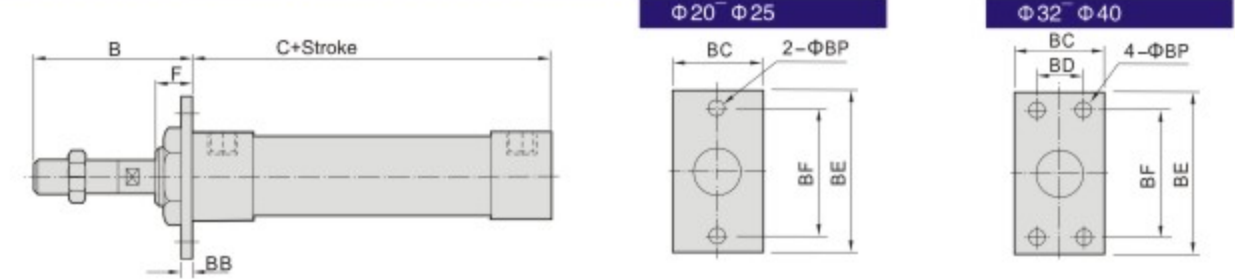
Flat Tail Type



| Sign | A | | | | A1 | | | | B | C | | | | D | E | F |
|------|-----|-----|-----|------|-----|-----|-----|------|----|-----|-----|-----|------|----|----|----|
| | ≤25 | ≤50 | ≤75 | ≤100 | ≤25 | ≤50 | ≤75 | ≤100 | | ≤25 | ≤50 | ≤75 | ≤100 | | | |
| 16 | 129 | 139 | 154 | 164 | 113 | 123 | 138 | 148 | 38 | 75 | 85 | 100 | 110 | 16 | 22 | 16 |
| 20 | 152 | 162 | 177 | 187 | 131 | 141 | 156 | 166 | 40 | 91 | 101 | 116 | 126 | 21 | 28 | 12 |
| 25 | 156 | 166 | 181 | 191 | 135 | 145 | 160 | 170 | 44 | 91 | 101 | 116 | 126 | 21 | 30 | 14 |
| 32 | 162 | 172 | 192 | 192 | 135 | 145 | 165 | 165 | 44 | 91 | 101 | 121 | 121 | 27 | 30 | 14 |
| 40 | 164 | 174 | 194 | 204 | 137 | 147 | 167 | 177 | 46 | 91 | 101 | 121 | 131 | 27 | 32 | 14 |

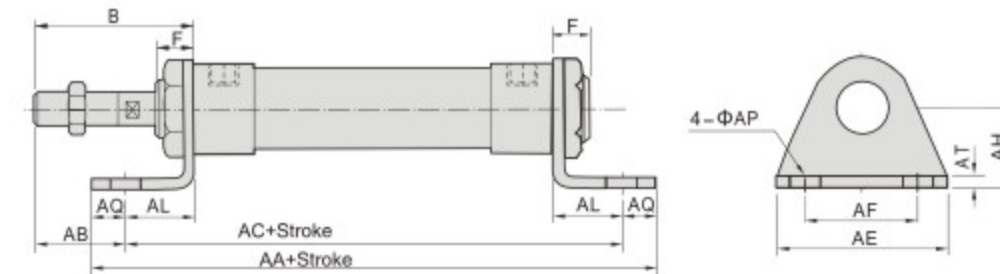
| Bore / Sign | G | H | I | J | K | L | M | P | Q | R | S | U | V | W | X | AR | AX | AY |
|-------------|------|----|----|---|----------|---------|----|----|----|------|----|------|----|----|--------|----|----|----|
| 16 | 10 | 16 | 10 | 5 | M6X1 | M16X1.5 | 14 | 6 | 12 | 14.5 | 9 | 21 | 6 | 5 | M5X0.8 | 6 | 25 | 22 |
| 20 | 16 | 20 | 12 | 6 | M8X1.25 | M22X1.5 | 10 | 8 | 16 | 19 | 12 | 27 | 8 | 6 | G 1/8 | 7 | 33 | 29 |
| 25 | 16 | 22 | 17 | 6 | M10X1.25 | M22X1.5 | 12 | 8 | 16 | 19 | 12 | 30 | 10 | 8 | G 1/8 | 7 | 33 | 29 |
| 32 | 16 | 22 | 17 | 6 | M10X1.25 | M24X2.0 | 12 | 10 | 16 | 25 | 15 | 35 | 12 | 10 | G 1/8 | 8 | 37 | 32 |
| 40 | 16.7 | 24 | 17 | 7 | M12X1.25 | M30X2.0 | 12 | 12 | 20 | 25 | 15 | 41.6 | 16 | 14 | G 1/8 | 9 | 47 | 41 |

Dimensions of RFA Type



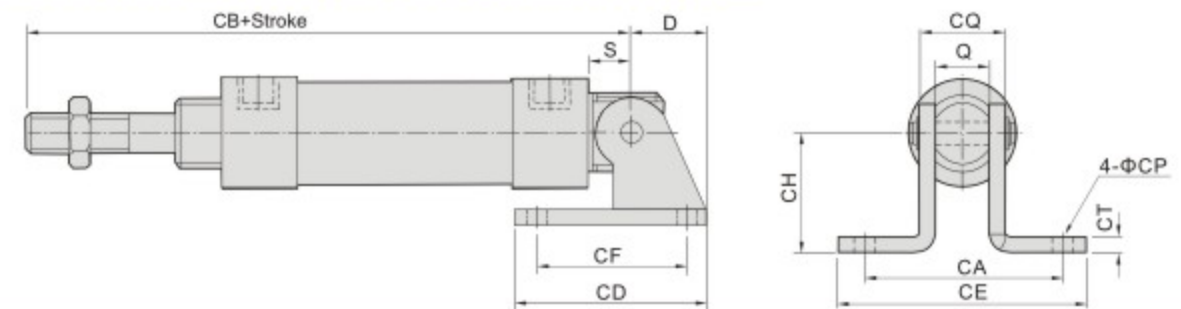
| Bore/Sign | B | C | | C (RSAL) | | C (RSAS) | | BB | BC | BD | BE | BF | BP | F |
|-----------|----|-----|-----|----------|--------|----------|--------|----|----|----|----|----|-----|----|
| | | RAL | RAS | 0-50 | 51-100 | 0-50 | 51-100 | | | | | | | |
| 16 | 38 | - | 60 | - | - | 60 | 85 | 3 | 26 | - | 52 | 40 | 5.5 | 16 |
| 20 | 40 | 70 | 76 | 70 | 95 | 76 | 101 | 4 | 38 | - | 64 | 50 | 6.5 | 12 |
| 25 | 44 | 70 | 76 | 70 | 95 | 76 | 101 | 4 | 38 | - | 64 | 50 | 6.5 | 14 |
| 32 | 44 | 70 | 76 | 70 | 95 | 76 | 101 | 4 | 47 | 33 | 72 | 58 | 6.5 | 14 |
| 40 | 46 | 92 | 76 | 92 | 117 | 76 | 101 | 4 | 50 | 36 | 84 | 70 | 6.5 | 14 |

Dimensions of RLB Type

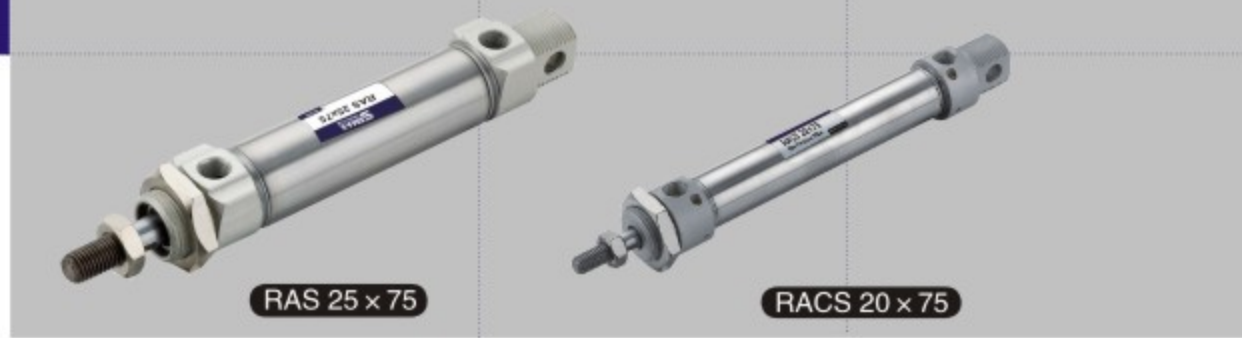
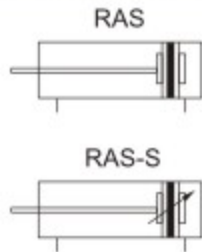


| Bore/Sign | B | F | AA | | AA (RSAL) | | AA (RSAS) | | AB | AC | | AC (RSAL) | | AC (RSAS) | | AE | AF | AL | AQ | AP | AT | AH |
|-----------|----|----|-----|-----|-----------|--------|-----------|--------|----|------|--------|-----------|--------|-----------|-----|----|----|----|----|-----|-----|----|
| | | | RAL | RAS | 0-50 | 51-100 | 0-50 | 51-100 | | 0-50 | 51-100 | 0-50 | 51-100 | | | | | | | | | |
| 16 | 38 | 16 | - | 98 | - | - | 98 | 123 | 25 | - | 86 | - | - | 86 | 111 | 44 | 32 | 13 | 6 | 5.5 | 3 | 20 |
| 20 | 40 | 12 | 116 | 122 | 116 | 141 | 122 | 147 | 25 | 100 | 106 | 100 | 125 | 106 | 131 | 54 | 40 | 15 | 8 | 6.5 | 3 | 25 |
| 25 | 44 | 14 | 116 | 122 | 116 | 141 | 122 | 147 | 29 | 100 | 106 | 100 | 125 | 106 | 131 | 54 | 40 | 15 | 8 | 6.5 | 3 | 25 |
| 32 | 44 | 14 | 136 | 142 | 136 | 161 | 142 | 167 | 19 | 120 | 126 | 120 | 145 | 126 | 151 | 59 | 45 | 25 | 8 | 6.5 | 4 | 32 |
| 40 | 46 | 14 | 158 | 142 | 158 | 183 | 142 | 167 | 21 | 142 | 126 | 142 | 167 | 126 | 151 | 64 | 50 | 25 | 8 | 6.5 | 4.5 | 36 |

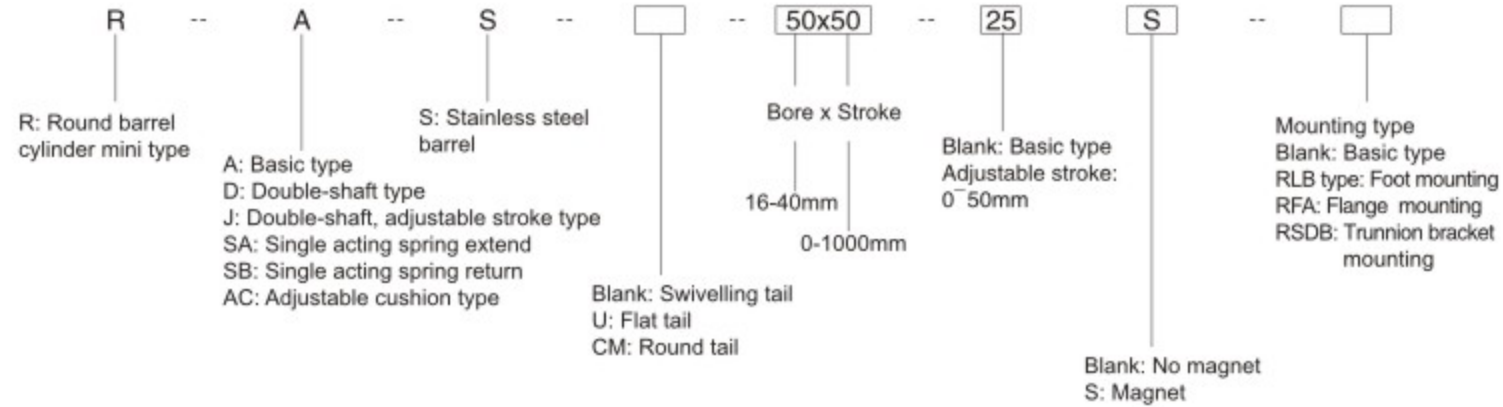
Dimensions of RSDB type



| Bore/sign | D | S | Q | CA | CB | | CB (RSAL) | | CB (RSAS) | | CD | CE | CF | CH | CT | CP | CQ |
|-----------|----|----|----|----|-----|-----|-----------|--------|-----------|--------|----|----|----|----|-----|-----|------|
| | | | | | RAL | RAS | 0-50 | 50-100 | 0-50 | 50-100 | | | | | | | |
| 16 | 16 | 9 | 12 | - | - | 107 | - | - | 107 | 132 | 23 | - | 12 | 20 | 2.3 | 5.5 | 16.5 |
| 20 | 21 | 12 | 16 | 51 | 122 | 128 | 122 | 147 | 128 | 153 | 48 | 67 | 32 | 32 | 3 | 6.5 | 22 |
| 25 | 21 | 12 | 16 | 51 | 126 | 132 | 126 | 151 | 132 | 157 | 48 | 67 | 32 | 32 | 3 | 6.5 | 22 |
| 32 | 27 | 15 | 16 | 51 | 129 | 135 | 129 | 154 | 135 | 160 | 52 | 67 | 36 | 36 | 4 | 6.5 | 24 |
| 40 | 27 | 15 | 20 | 55 | 153 | 137 | 153 | 178 | 137 | 162 | 56 | 71 | 40 | 40 | 4 | 6.5 | 28 |



How to Order?



* R series cylinder with stainless steel barrel, standard type, 16mm bore, 50mm stroke, model: RAS 16X50
 * R series cylinder with stainless steel barrel, adjustable cushion type, 20mm bore, 80mm stroke, with magnet, model: RACS 20x80-S

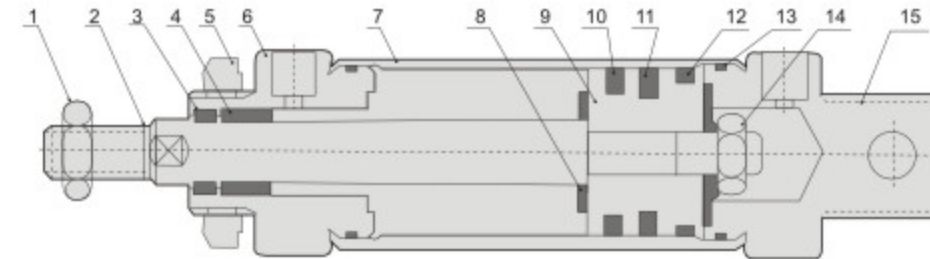
Product Features

- * R series mini cylinder can be easily changed to different appearance according to customers requirement.
- * Three styles for back end cover, swiveing tail, round tail and flat tail.
- * Adjustable cushion is optional for working more stable if necessary.
- * With self-lubricating bearing, the piston rod is lubrication free.
- * Magnet and sufficient fixing styles are available.

Specifications

| Bore Size (mm) | 16 | 20 | 25 | 32 | 40 |
|---------------------------|-------------------------------|----|--------------------|----|----|
| Acting type | Double Acting / Single Acting | | | | |
| Working medium | Clean Air (25 μm filtration) | | | | |
| Mounting type | Basic type RLB RFA RSDB | | | | |
| Working pressure (Bar) | 1-9.0 | | | | |
| Guaranteed pressure (Bar) | 13.5 | | | | |
| Working temperature (°C) | -5~70 | | | | |
| Speed range (mm/s) | 50~800 | | | | |
| Cushion type | Standard type | | Anti-bump cushion | | |
| | Cushion type | | Adjustable Cushion | | |
| Port size | M5 x 0.8 | | G 1/8 | | |

Internal structure



| No | Designation |
|----|--------------------------|
| 1 | Nut |
| 2 | Piston rod |
| 3 | Piston rod seal |
| 4 | Self lubricating bearing |
| 5 | Head cover piston nut |
| 6 | Head cover |
| 7 | Barrel |
| 8 | Anti-bump cushion |
| 9 | Piston |
| 10 | Piston seal |
| 11 | Magnet |
| 12 | Wear ring |
| 13 | Cover O-ring |
| 14 | Hexagon nut |
| 15 | Rear cover |

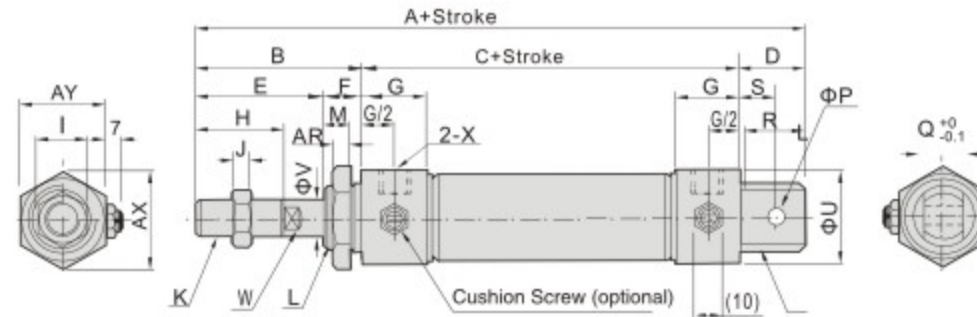
Main Parts Material

| Part name | Material |
|--------------------------|-------------------------------|
| Head cover | Aluminum alloy |
| Rear cover | Aluminum alloy |
| Piston | Aluminum alloy |
| Piston rod | S45C hard chrome carbon steel |
| Barrel | Stainless Steel |
| Cushion seal | NBR |
| Piston rod seal | NBR |
| Cover O-ring | NBR |
| Piston seal | NBR |
| Wear ring | PA66 |
| Self lubricating bearing | PTFE+ Brass |
| Magnet (optional) | ♁bF |
| Back washer | Steel |
| Cushion needle | Brass |
| Hexagon nut | Carbon steel |
| Nut | Carbon steel |
| Muffler | Cu |

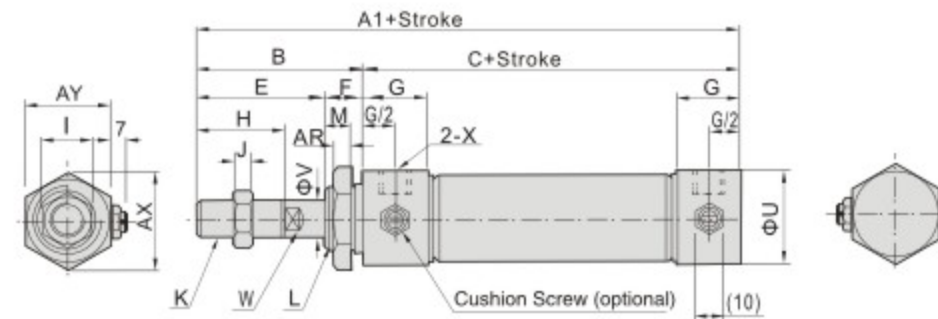
○ Main dimensions

Φ16-Φ40

※ Swivelling Tail Type



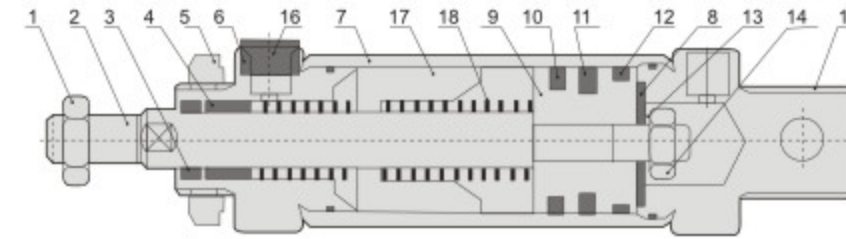
※ Flat Tail Type



| Bore/Sign | A | A1 | B | C | D | E | F | G | H | I | J | K |
|-----------|-----|-----|----|----|----|----|----|------|----|----|---|----------|
| 16 | 114 | 98 | 38 | 60 | 16 | 22 | 16 | 10 | 16 | 10 | 5 | M6x1 |
| 20 | 137 | 116 | 40 | 76 | 21 | 28 | 12 | 16 | 20 | 12 | 6 | M8x1.25 |
| 25 | 141 | 120 | 44 | 76 | 21 | 30 | 14 | 16 | 22 | 17 | 6 | M10x1.25 |
| 32 | 147 | 120 | 44 | 76 | 27 | 30 | 14 | 16 | 22 | 17 | 6 | M10x1.25 |
| 40 | 149 | 122 | 46 | 76 | 27 | 32 | 14 | 16.7 | 24 | 17 | 7 | M12x1.25 |

| Bore/Sign | L | M | P | Q | R | S | U | V | W | X | AR | AX | AY |
|-----------|---------|----|----|----|----|----|------|----|----|------|----|----|----|
| 16 | M16x1.5 | 14 | 6 | 12 | 14 | 9 | 21 | 6 | 5 | M5 | 6 | 25 | 22 |
| 20 | M22x1.5 | 10 | 8 | 16 | 19 | 12 | 27 | 8 | 6 | G1/8 | 7 | 33 | 29 |
| 25 | M22x1.5 | 12 | 8 | 16 | 19 | 12 | 30 | 10 | 8 | G1/8 | 7 | 33 | 29 |
| 32 | M24x2.0 | 12 | 10 | 16 | 25 | 15 | 35 | 12 | 10 | G1/8 | 8 | 37 | 32 |
| 40 | M30x2.0 | 12 | 12 | 20 | 25 | 15 | 41.6 | 16 | 14 | G1/8 | 9 | 47 | 41 |

○ Internal structure



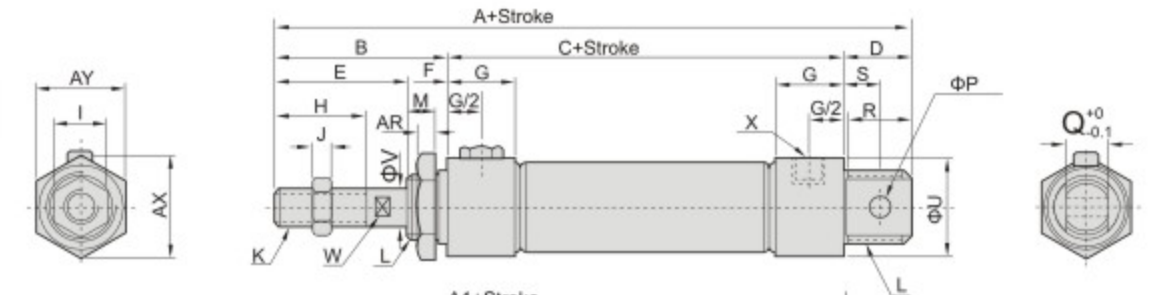
RSBS

| No | Designation |
|----|--------------------------|
| 1 | Nut |
| 2 | Piston rod |
| 3 | Piston rod seal |
| 4 | Self lubricating bearing |
| 5 | Head cover nut |
| 6 | Head cover |
| 7 | Barrel |
| 8 | Anti-bump cushion |
| 9 | Piston |
| 10 | Piston seal |
| 11 | Magnet |
| 12 | Wear ring |
| 13 | Back washer |
| 14 | Hexagon nut |
| 15 | Rear cover |
| 16 | Muffler |
| 17 | Spring connection seat |
| 18 | Spring |

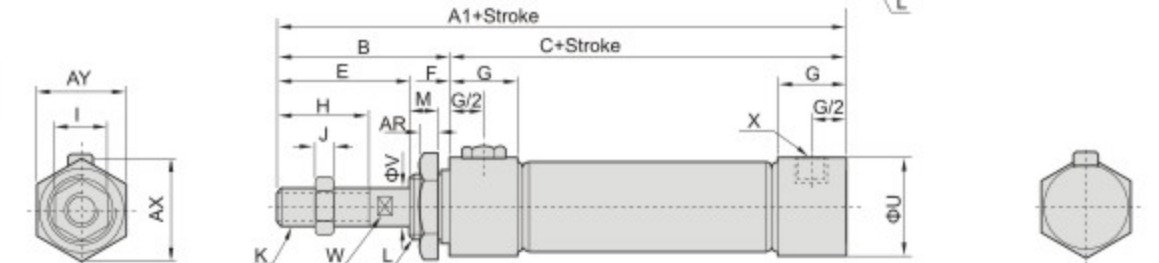
○ Main dimensions

Φ16-Φ40

Swivelling Tail Type



Flat Tail Type



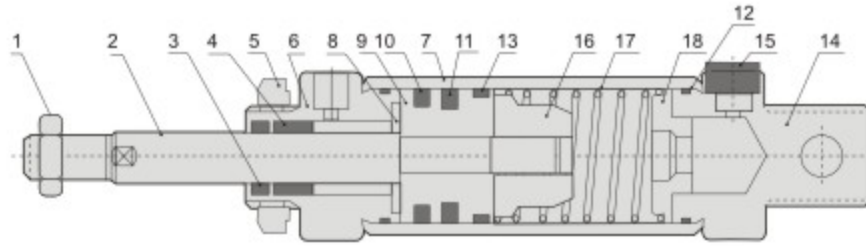
| Sign | A | | A1 | | B | C | | D | E | F | G | H | I | J | K |
|-------------|------|--------|------|--------|----|------|--------|----|----|----|------|----|----|---|----------|
| Bore/Stroke | 0-50 | 51-100 | 0-50 | 51-100 | | 0-50 | 51-100 | | | | | | | | |
| 16 | 114 | 139 | 98 | 123 | 38 | 60 | 85 | 16 | 22 | 16 | 10 | 16 | 10 | 5 | M6X1 |
| 20 | 137 | 162 | 116 | 141 | 40 | 76 | 101 | 21 | 28 | 12 | 16 | 20 | 12 | 6 | M8X1.25 |
| 25 | 141 | 166 | 120 | 145 | 44 | 76 | 101 | 21 | 30 | 14 | 16 | 22 | 17 | 6 | M10X1.25 |
| 32 | 147 | 172 | 120 | 145 | 44 | 76 | 101 | 27 | 30 | 14 | 16 | 22 | 17 | 6 | M10X1.25 |
| 40 | 149 | 174 | 122 | 147 | 46 | 76 | 101 | 27 | 32 | 14 | 16.7 | 24 | 17 | 7 | M12X1.25 |

| Bore / Sign | L | M | P | Q | R | S | U | V | W | X | AR | AX | AY |
|-------------|---------|----|----|----|------|----|------|----|----|--------|----|----|----|
| 16 | M16X1.5 | 14 | 6 | 12 | 14.5 | 9 | 21 | 6 | 5 | M5X0.8 | 6 | 25 | 22 |
| 20 | M22X1.5 | 10 | 8 | 16 | 19 | 12 | 27 | 8 | 6 | G 1/8 | 7 | 33 | 29 |
| 25 | M22X1.5 | 12 | 8 | 16 | 19 | 12 | 30 | 10 | 8 | G 1/8 | 7 | 33 | 29 |
| 32 | M24X2.0 | 12 | 10 | 16 | 25 | 15 | 35 | 12 | 10 | G 1/8 | 8 | 37 | 32 |
| 40 | M30X2.0 | 12 | 12 | 20 | 25 | 15 | 41.6 | 16 | 14 | G 1/8 | 9 | 47 | 41 |

RSAS



Internal structure

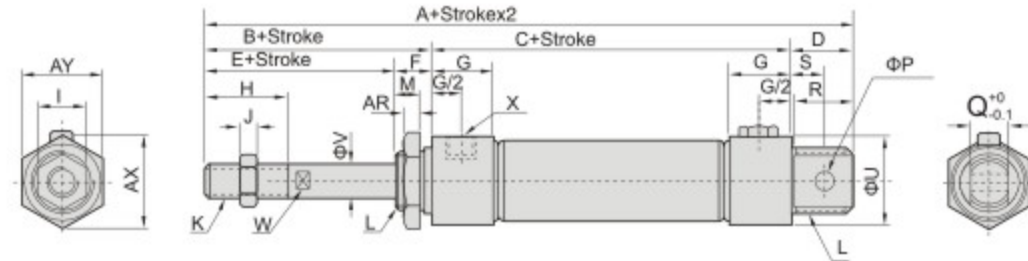


| No | Designation |
|----|--------------------------|
| 1 | Nut |
| 2 | Piston rod |
| 3 | Piston rod seal |
| 4 | Self lubricating bearing |
| 5 | Head cover nut |
| 6 | Head cover |
| 7 | Barrel |
| 8 | Anti-bump cushion |
| 9 | Piston |
| 10 | Piston seal |
| 11 | Magnet |
| 12 | Cover O-ring |
| 13 | Wear ring |
| 14 | Rear cover |
| 15 | Muffler |
| 16 | Spring connection seat |
| 17 | Spring |
| 18 | Spring seat |

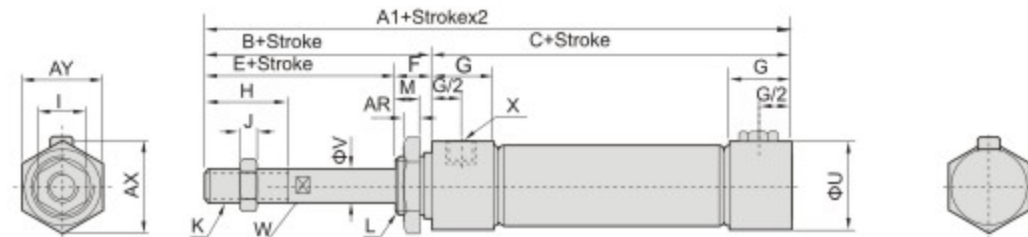
Main dimensions

Φ16~Φ40

Swivelling Tail Type



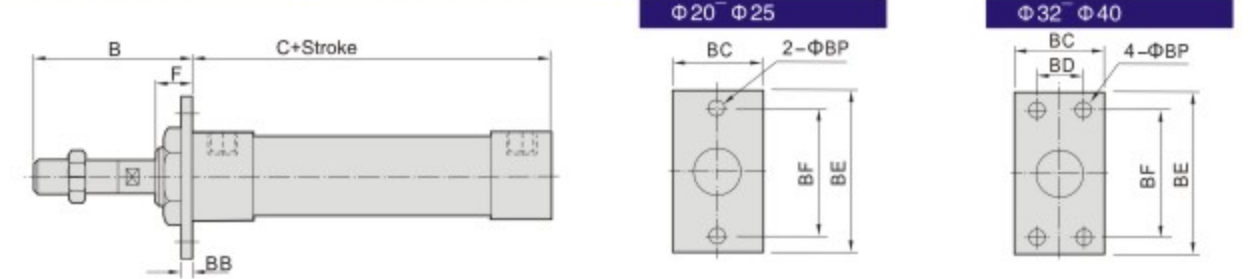
Flat Tail Type



| Sign | A | | | | A1 | | | | B | C | | | | D | E | F |
|------|-----|-----|-----|------|-----|-----|-----|------|----|-----|-----|-----|------|----|----|----|
| | ≤25 | ≤50 | ≤75 | ≤100 | ≤25 | ≤50 | ≤75 | ≤100 | | ≤25 | ≤50 | ≤75 | ≤100 | | | |
| 16 | 129 | 139 | 154 | 164 | 113 | 123 | 138 | 148 | 38 | 75 | 85 | 100 | 110 | 16 | 22 | 16 |
| 20 | 152 | 162 | 177 | 187 | 131 | 141 | 156 | 166 | 40 | 91 | 101 | 116 | 126 | 21 | 28 | 12 |
| 25 | 156 | 166 | 181 | 191 | 135 | 145 | 160 | 170 | 44 | 91 | 101 | 116 | 126 | 21 | 30 | 14 |
| 32 | 162 | 172 | 192 | 192 | 135 | 145 | 165 | 165 | 44 | 91 | 101 | 121 | 121 | 27 | 30 | 14 |
| 40 | 164 | 174 | 194 | 204 | 137 | 147 | 167 | 177 | 46 | 91 | 101 | 121 | 131 | 27 | 32 | 14 |

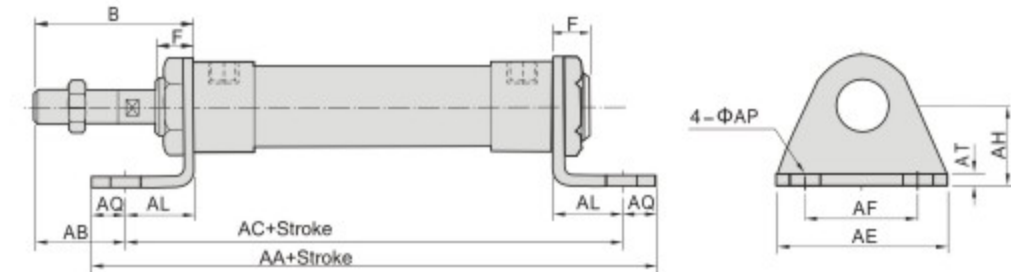
| Bore / Sign | G | H | I | J | K | L | M | P | Q | R | S | U | V | W | X | AR | AX | AY |
|-------------|------|----|----|---|----------|---------|----|----|----|------|----|------|----|----|--------|----|----|----|
| 16 | 10 | 16 | 10 | 5 | M6X1 | M16X1.5 | 14 | 6 | 12 | 14.5 | 9 | 21 | 6 | 5 | M5X0.8 | 6 | 25 | 22 |
| 20 | 16 | 20 | 12 | 6 | M8X1.25 | M22X1.5 | 10 | 8 | 16 | 19 | 12 | 27 | 8 | 6 | G 1/8 | 7 | 33 | 29 |
| 25 | 16 | 22 | 17 | 6 | M10X1.25 | M22X1.5 | 12 | 8 | 16 | 19 | 12 | 30 | 10 | 8 | G 1/8 | 7 | 33 | 29 |
| 32 | 16 | 22 | 17 | 6 | M10X1.25 | M24X2.0 | 12 | 10 | 16 | 25 | 15 | 35 | 12 | 10 | G 1/8 | 8 | 37 | 32 |
| 40 | 16.7 | 24 | 17 | 7 | M12X1.25 | M30X2.0 | 12 | 12 | 20 | 25 | 15 | 41.6 | 16 | 14 | G 1/8 | 9 | 47 | 41 |

Dimensions of RFA Type



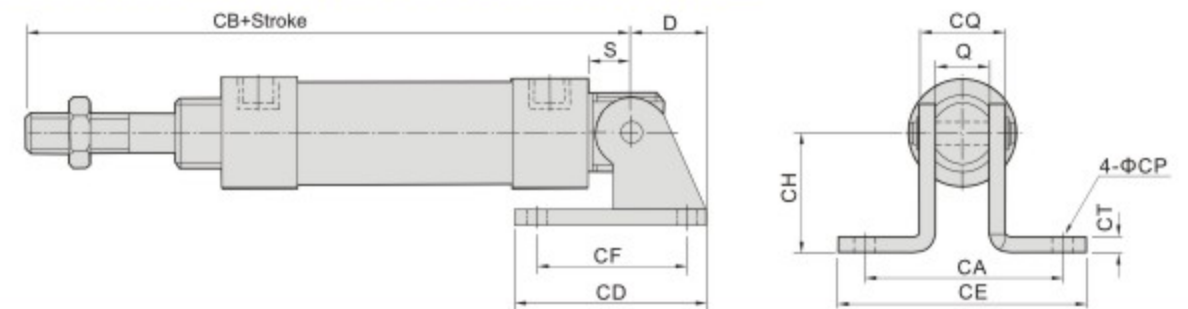
| Bore/Sign | B | C | | C (RSAL) | | C (RSAS) | | BB | BC | BD | BE | BF | BP | F |
|-----------|----|-----|-----|----------|--------|----------|--------|----|----|----|----|----|-----|----|
| | | RAL | RAS | 0-50 | 51-100 | 0-50 | 51-100 | | | | | | | |
| 16 | 38 | - | 60 | - | - | 60 | 85 | 3 | 26 | - | 52 | 40 | 5.5 | 16 |
| 20 | 40 | 70 | 76 | 70 | 95 | 76 | 101 | 4 | 38 | - | 64 | 50 | 6.5 | 12 |
| 25 | 44 | 70 | 76 | 70 | 95 | 76 | 101 | 4 | 38 | - | 64 | 50 | 6.5 | 14 |
| 32 | 44 | 70 | 76 | 70 | 95 | 76 | 101 | 4 | 47 | 33 | 72 | 58 | 6.5 | 14 |
| 40 | 46 | 92 | 76 | 92 | 117 | 76 | 101 | 4 | 50 | 36 | 84 | 70 | 6.5 | 14 |

Dimensions of RLB Type



| Bore/Sign | B | F | AA | | AA (RSAL) | | AA (RSAS) | | AB | AC | | AC (RSAL) | | AC (RSAS) | | AE | AF | AL | AQ | AP | AT | AH |
|-----------|----|----|-----|-----|-----------|--------|-----------|--------|----|-----|-----|-----------|--------|-----------|--------|----|----|----|----|-----|-----|----|
| | | | RAL | RAS | 0-50 | 51-100 | 0-50 | 51-100 | | RAL | RAS | 0-50 | 51-100 | 0-50 | 51-100 | | | | | | | |
| 16 | 38 | 16 | - | 98 | - | - | 98 | 123 | 25 | - | 86 | - | - | 86 | 111 | 44 | 32 | 13 | 6 | 5.5 | 3 | 20 |
| 20 | 40 | 12 | 116 | 122 | 116 | 141 | 122 | 147 | 25 | 100 | 106 | 100 | 125 | 106 | 131 | 54 | 40 | 15 | 8 | 6.5 | 3 | 25 |
| 25 | 44 | 14 | 116 | 122 | 116 | 141 | 122 | 147 | 29 | 100 | 106 | 100 | 125 | 106 | 131 | 54 | 40 | 15 | 8 | 6.5 | 3 | 25 |
| 32 | 44 | 14 | 136 | 142 | 136 | 161 | 142 | 167 | 19 | 120 | 126 | 120 | 145 | 126 | 151 | 59 | 45 | 25 | 8 | 6.5 | 4 | 32 |
| 40 | 46 | 14 | 158 | 142 | 158 | 183 | 142 | 167 | 21 | 142 | 126 | 142 | 167 | 126 | 151 | 64 | 50 | 25 | 8 | 6.5 | 4.5 | 36 |

Dimensions of RSDB type



| Bore/sign | D | S | Q | CA | CB | | CB (RSAL) | | CB (RSAS) | | CD | CE | CF | CH | CT | CP | CQ |
|-----------|----|----|----|----|-----|-----|-----------|--------|-----------|--------|----|----|----|----|-----|-----|------|
| | | | | | RAL | RAS | 0-50 | 50-100 | 0-50 | 50-100 | | | | | | | |
| 16 | 16 | 9 | 12 | - | - | 107 | - | - | 107 | 132 | 23 | - | 12 | 20 | 2.3 | 5.5 | 16.5 |
| 20 | 21 | 12 | 16 | 51 | 122 | 128 | 122 | 147 | 128 | 153 | 48 | 67 | 32 | 32 | 3 | 6.5 | 22 |
| 25 | 21 | 12 | 16 | 51 | 126 | 132 | 126 | 151 | 132 | 157 | 48 | 67 | 32 | 32 | 3 | 6.5 | 22 |
| 32 | 27 | 15 | 16 | 51 | 129 | 135 | 129 | 154 | 135 | 160 | 52 | 67 | 36 | 36 | 4 | 6.5 | 24 |
| 40 | 27 | 15 | 20 | 55 | 153 | 137 | 153 | 178 | 137 | 162 | 56 | 71 | 40 | 40 | 4 | 6.5 | 28 |