

Motor Driven Bell - 24 Vdc

MB6-24

Features

- mounts to standard 4" square electrical box
- wire lead design
- high quality micromotor
- loud resonant tones
- low current draw
- 6" (150 mm) size
- "fire red" finish

Description

The Edwards MB6-24 Motor Driven Bell is specially designed for fire alarm applications. The gongs are made from select alloy chosen to give the loud, resonant tones necessary in fire alarm and life safety systems.

The MB6-24 is an under-dome type that uses heavy duty mechanisms. The bell's base and gong are finished with a durable Fire Red baked enamel.

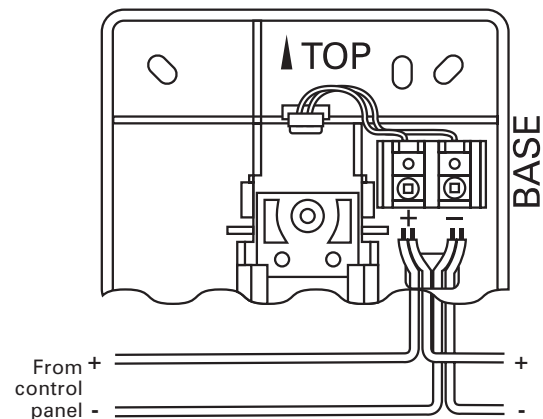
The bell mounts to any standard North American 4-inch square electrical box. Field wiring connections are made to colour-coded leads.

Specifications

Gong Size - Diameter	6" (150mm)
dBA Level	91 at 10' (3.05 m)
Type of Operation	Motorized Bell
Operating Voltage Range	20 to 24 Vdc
Operating Current	30 mA
Finish	"Fire Red" Baked Enamel
Approvals and Listings	ULC, (FM: indoor only)
Operating Environment	Temperature: -35° C to 66° C Relative Humidity: 93%



Wiring



Use both terminal leads for connection. Electrical supervision requires wire run to be broken at each device.

Ordering Information

Catalogue Number	Description	Ship Wt. (kg)
MB6-24	6" (150mm) Fire Alarm Bell - Red Finish	1.0
Accessories		
512-1	Wallbox - for flush mounting into wall	2.5
403-5A-R	Bell Strobe Plate	0.9

EST INTERNATIONAL

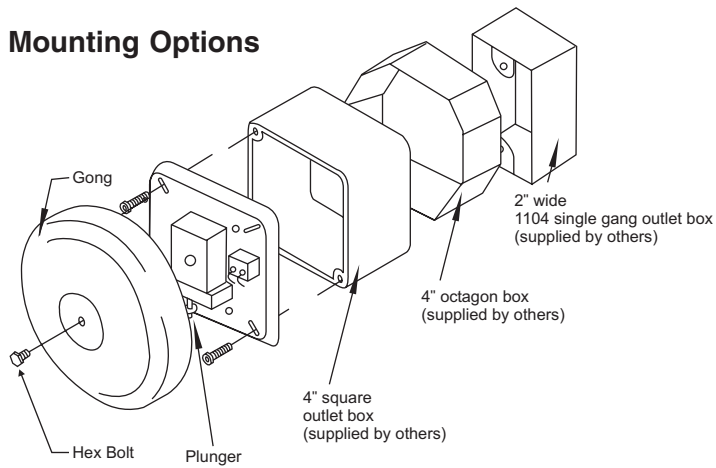
201 CITY CENTRE DRIVE SUITE 500, MISSISSAUGA, ONTARIO, CANADA L5B 2T4

PHONE: (001)905-270-1711 • FAX: (001)905-270-9553 • WORLD WIDE WEB: WWW.ESTINTERNATIONAL.COM
U.S. SALES: SARASOTA, FL; PHONE 941-739-4200; FAX 941-727-0740 • CANADA SALES: OWEN SOUND, ON; PHONE 519-376-2430; FAX 519-376-7258

Installation

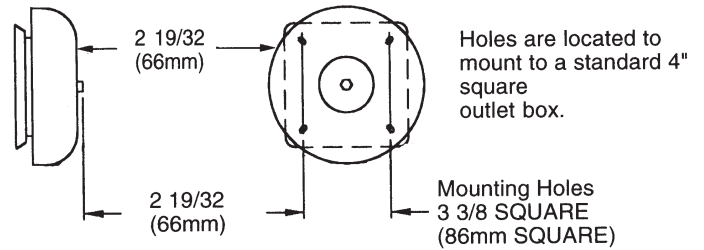
EST MB series Fire Alarm Bells are high quality signalling appliances. EST recommends that they always be installed in accordance with the latest recognized edition of local fire alarm codes.

Mounting Options



NOTE: For octagon outlet box line up the slotted holes to the outlet box mounting holes as shown.

Semi-Flush Mounting



EST INTERNATIONAL

It is our intention to keep the product information current and accurate. We can not cover specific applications or anticipate all requirements. All specifications are subject to change without notice. For more information or questions relative to this Specification Sheet, contact EST International.