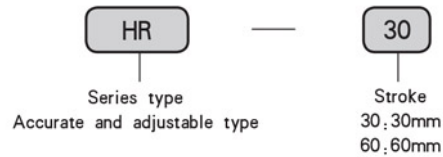




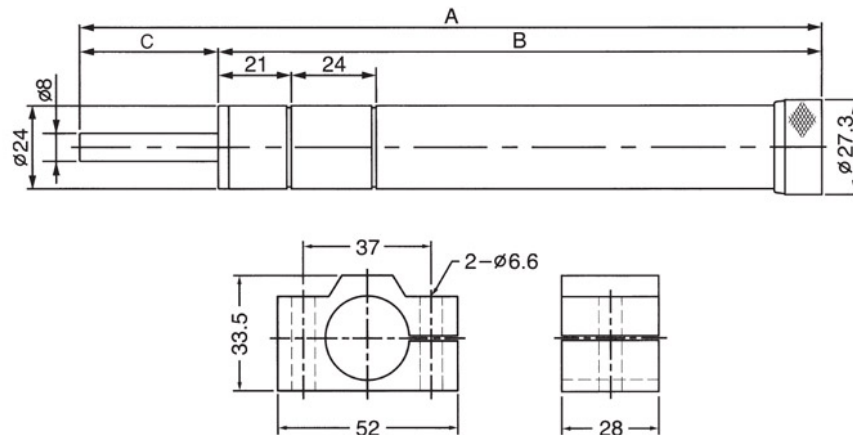
● Product characteristic

1. It can control steadily for a long time and return by spring.
2. It's dustproof and leak proof with complete hermetic structure. Can be used in different special conditions.
3. Under the change of temperature, oil viscosity is still very steady.
4. For small volume and easy installation, it's comprehensive used in manipulator, grind machine and cutting machine etc.

● Ordering Code



■ Figure Dimension



Type	A	B	Max. Stroke	Applicable temperature	Max. Weight	Adjustable speed range
HR15	151	136	15mm	0-60°C	15-350 kgf	0.5~30mm/s(load : 100kg)
HR30	202	172	30mm	0-60°C	15-350 kgf	0.5~30mm/s(load : 100kg)
HR60	254	194	60mm	0-60°C	15-350 kgf	0.5~30mm/s(load : 100kg)
HR80	336	256	80mm	0-60°C	15-350 kgf	0.5~30mm/s(load : 100kg)
HR100	390	290	100mm	0-60°C	15-350 kgf	0.5~30mm/s(load : 100kg)