

# Smart and Simple Compressed Air Solution

MSS 4-75KW Screw Compressors  
MDS 10-260 Refrigerant Dryers



[www.markcompressors.in](http://www.markcompressors.in)

**MARK**

# OIL-INJECTED SCREW COMPRESSORS

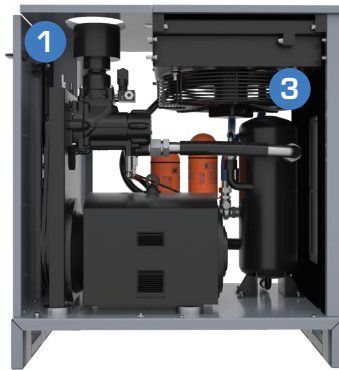
Mark's oil-injected screw compressors have been specially designed for India's tropical conditions and are ideal for various industries and assembly production. Our compressors have a capacity starting from 4.5 kW. With a simple LCD display control system, user-friendly design, top-of-the-line quality and durability, we guarantee lasting performance.



## Smart technical advantages

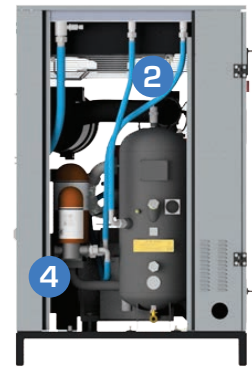
**1 Asymmetric profile rotors mounted on high-quality ball and roller bearings along with a high degree of sealing and fine tolerance guarantee:**

- » Greater yield
- » Long life & reliability
- » High efficiency
- » Lasting performance



**2 Simple user-friendly controller with outstanding functions**

- » Color coded on/off buttons
- » LCD display
- » Fault indication & reset function
- » Service warnings
- » Reverse rotation protection



**3 Horizontal design brings high-efficiency internal cooling**

**4 Fast service pre-filtration**

- » Smart slot design allows quick servicing
- » Easy cleaning with washing or air blowing

## Technical data

Model												
	Max. Pressure	Motor		Capacity			Noise	Weight	Connection	Dimension		
	Bar (G)	kW	HP	I/S	cfm	m <sup>3</sup> /min	dB±2	kg	G	Length (mm)	Width (mm)	Height (mm)
MSS 4 TM	10	4	5	9.04	19	0.51	68	200	½"	1540	751	1473
MSS 5.5 TM	10	5.5	7.5	11.4	24	0.65	68	230	½"	1540	751	1473
MSS 7.5	8	7.5	10	18	40	1.1	68	235	½"	650	650	890
	10	7.5	10	14	30	0.85						
MSS 11	8	11	15	27	60	1.6	70	235	¾"	650	850	930
	10	11	15	20	45	1.2						
MSS 15	8	15	20	34.5	75	2.0	70	235	¾"	650	850	930
	10	15	20	30.6	65	1.8						
MSS 18.5	8	18.5	25	51	110	3.0	70	345	1"	710	740	1275
	10	18.5	25	42	95	2.5						
MSS 22	8	22	30	58.1	125	3.3	70	350	1"	710	740	1275
	10	22	30	49	105	2.8						
MSS 30	7	30	40	86.1	185	4.9	75	500	1"	860	850	1345
	10	30	40	65.1	140	3.7						
MSS 37	7	37	50	94	205	5.6	75	530	1"	860	850	1345
	10	37	50	89	185	5.3						
MSS 45	7	45	60	116	250	6.96	75	650	1 ½"	1320	970	1380
	10	45	60	93	200	5.58						
MSS 55	7	55	75	150	320	8.60	78	875	2"	1574	1159	1718
	10	55	75	116	245	6.90						
MSS 75	7	75	100	205	425	11.90	79	1107	2"	1574	1159	1718
	10	75	100	161	340	9.61						

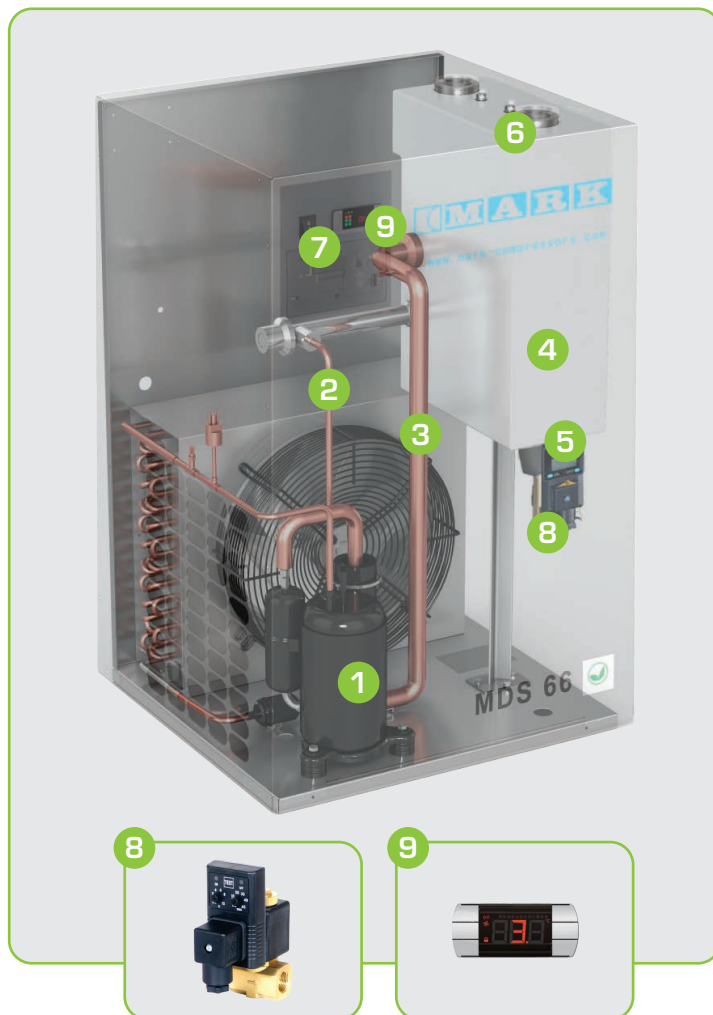
# MDS REFRIGERANT AIR DRYERS

Mark is the largest air dryer manufacturer in the world with a 49-year legacy of serving various industries. Our dryers have a capacity starting from 0.36 kW. With an easy-to-operate on/off controller, 3-in-1 heat exchanger and a durable

refrigerant with environment-friendly gases, we guarantee energy efficiency and longer runtime. Mark air dryers have ISO 9001, ISO 14001 quality assurance.

## Mark MDS refrigerated compressed air dryer

- 1. Refrigerant compressor**  
Driven by an electric motor, cooled using refrigerant fluid and protected against thermal overload
- 2. Refrigerant condenser**  
Air-cooled and with a large exchange surface for efficient thermal exchange
- 3. Motor-driven fan**  
For the condenser cooling air flow
- 4. Air/refrigerant evaporator**  
With high thermal exchange and low leakage
- 5. Condensate separator**  
High-efficiency separator for optimum performance
- 6. Air-air exchanger**  
With high thermal exchange and low load losses
- 7. On/off switch**  
Reliable simple on/off switch to turn on and off the dryer
- 8. Automatic discharge of condensate**  
User adjustable, timer solenoid drain, reliable and timely, proven design
- 9. Control panel**  
Indicates all relevant information



Model												Refrigerant
	Max. Pressure	Capacity			Motor	Electrical	Connection	Dimension			Weight	
	Bar (G)	I/S	cfm	m <sup>3</sup> /min	kW	V/Ph/Hz	G	Length (mm)	Width (mm)	Height (mm)	kg	
MDS 10	13	16.6	36.3	1.0	0.21	230/1/50	3/4"	362	430	446	30	R134a
MDS 13	13	21.6	46.9	1.3	0.36	230/1/50	3/4"	550	370	704	30	R134a
MDS 21	13	36.0	74.1	2.1	0.36	230/1/50	3/4"	550	370	704	34	R134a
MDS 40	13	66.6	141.2	4.0	0.70	230/1/50	1"	520	500	809	55	R410A
MDS 66	13	110.0	233.0	6.6	0.96	230/1/50	1 1/2"	520	500	809	60	R410A
MDS 85	13	141.6	300.2	8.5	0.98	230/1/50	1 1/2"	550	600	958	68	R410A
MDS 105	13	176.0	370.8	10.5	1.00	230/1/50	2"	550	600	958	75	R410A
MDS 140	13	233.3	494.4	14.0	1.67	230/1/50	2"	900	750	1009	110	R410A
MDS 175	13	291.6	618.0	17.5	1.75	230/1/50	2"	900	750	1009	126	R410A
MDS 220	13	366.3	776.6	22.0	2.86	230/1/50	2 1/2"	1050	660	1130	140	R410A
MDS 260	13	433.0	917.8	26.0	2.96	230/1/50	2 1/2"	1050	660	1130	162	R410A



# FULL FILTER RANGE

Allowing unclean or contaminated compressed air to enter your air network poses several risks. In almost all applications, this can cause a considerable decrease in performance as well as an increase in maintenance costs, both related to actual repairs as well as a loss in productivity. Mark's innovative filters are engineered to cost-effectively provide the best air quality and meet today's ever increasing quality demands. They are fully developed and tested according to ISO standards.



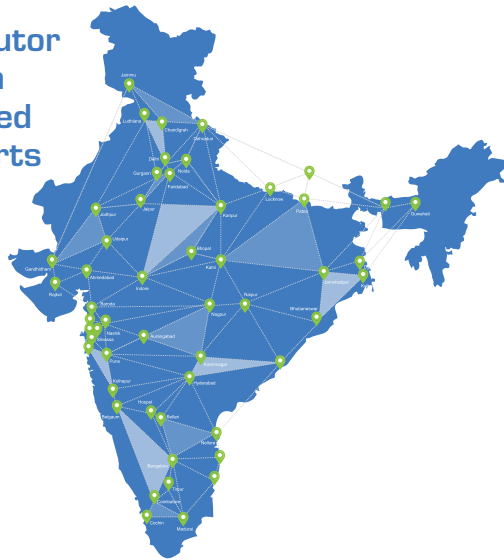
## Components

- |                                      |                                   |                            |
|--------------------------------------|-----------------------------------|----------------------------|
| 1. High-efficiency glass fiber media | 4. Double O-ring leak free design | 7. Protection paper shield |
| 2. SS filter core for high strength  | 5. Epoxy sealed caps              | 8. Internal ribs support   |
| 3. Oil & dust filter media           | 6. Robust construction            |                            |

## UNPARALLELED EXPERTISE

- |                |             |             |              |
|----------------|-------------|-------------|--------------|
| Availability   | Reliability | Partnership | Safety       |
| Serviceability | Simplicity  | Quality     | More savings |

Wide distributor network with factory-trained service experts



Care. Trust. Efficiency.



info.india@mark-compressors.com

Reach us at - 1800 120 110 050

www.markcompressors.in

Contact your local sales representative now!