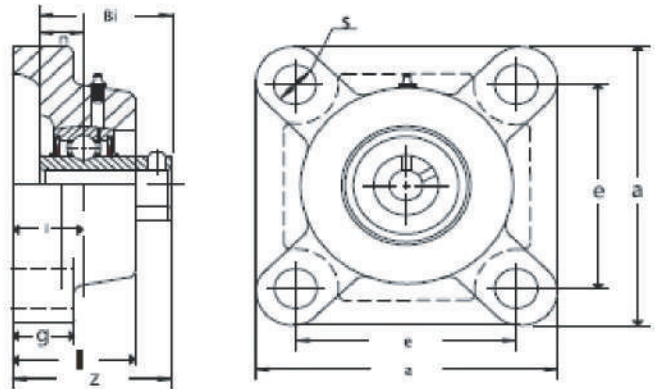


## Flange Units SUCF200-TF SERIES



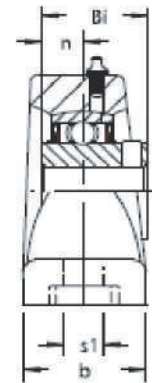
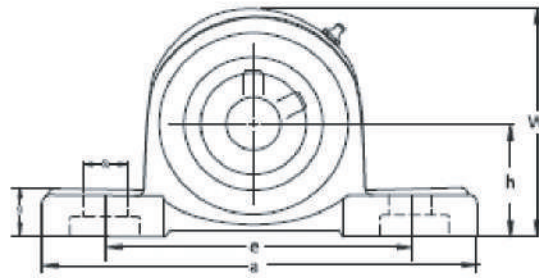
Stainless Steel Bearings with  
Thermoplastic Housings  
Material : Housing-Polybutlene (PBT)  
Bearing-Stainless Steel AISI440C

UNIT NO.	Shaft Dia.		Dimension (in) (mm)										Bolt Used		BEARING NO.	HOUSING NO.	Weight kg.	
	in	mm	a	e	i	g	l	s	z	Bi	n	t	in	mm				
SUCF201-TF 201-8TF 202-TF 202-10TF 203-TF 204-TF 204-12TF	1/2 5/8 3/4	12 15 17 20														SUC201 201-8 202 202-10 203 204 204-12	F204-TF	0.65
SUCF205-TF 205-14TF 205-15TF 205-16TF	7/8 15/16 1	25														SUC205 205-14 205-15 205-16	F205-TF	0.85
SUCF206-TF 206-18TF 206-19TF 206-20TF	1 1/8 1 3/16 1 1/4	30														SUC206 206-18 206-19 206-20	F206-TF	1.15
SUCF207-TF 207-20TF 207-21TF 207-22TF 207-23TF	1 1/4 1 5/16 1 3/8 1 7/16	35														SUC207 207-20 207-21 207-22 207-23	F207-TF	1.60
SUCF208-TF 208-24TF 208-25TF	1 1/2 1 9/16	40														SUC208 208-24 208-25	F208-TF	2.05
SUCF209-TF 209-26TF 209-27TF 209-28TF	1 5/8 1 11/16 1 3/4	45														SUC209 209-26 209-27 209-28	F209-TF	2.38
SUCF210-TF 210-30TF 210-31TF	1 7/8 1 15/16	50														SUC210 210-30 210-31	F210-TF	2.50
SUCF211-TF 211-32TF 211-34TF 211-35TF	2 2 1/8 2 3/16	55														SUC211 211-32 211-34 211-35	F211-TF	3.60
SUCF212-TF 212-36TF 212-38TF 212-39TF	2 1/4 2 3/8 2 7/16	60														SUC212 212-36 212-38 212-39	F212-TF	5.15





# Pillow Blocks SUCP200-TF SERIES



Stainless Steel Bearings with  
Thermoplastic Housings  
Material : Housing-Polybutlene (PBT)  
Bearing-Stainless Steel AISI440C

UNIT NO.	D		S										Bolt Used		BEARING NO.	HOUSING NO.	Weight kg.
	in	mm	h	a	e	b	S2	S1	g	w	Bi	n	in	mm			
SUCP201-TF 201-8TF 202-TF 202-10TF 203-TF	1/2 5/8	12 15 17	1 3/16 30.2	5 127	3 3/4 95	1 1/2 38	3/4 19	1/2 13	15/32 12	2 3/8 60	1.2205 31.0	0.7205 12.7	3/8 10		SUC201 201-8 202 202-10 203	P203-TF	0.78
SUCP204-TF 204-12TF	3/4	20	1 5/16 33.3	5 127	3 3/4 95	1 1/2 38	3/4 19	1/2 13	1/2 13	2 17/32 64.3	1.2205 31.0	0.7205 12.7	3/8 10		SUC204 204-12	P204-TF	0.66
SUCP205-TF 205-14TF 205-15TF 205-16TF	7/8 15/16 1	25	1 7/16 36.5	5 1/2 140	4 1/8 105	1 1/2 38	3/4 19	1/2 13	1/2 13	2 25/32 71	1.3386 34.1	0.5630 14.3	3/8 10		SUC205 205-14 205-15 205-16	P205-TF	0.86
SUCP206-TF 206-18TF 206-19TF 206-20TF	1 1/8 1 3/16 1 1/4	30	1 11/16 42.9	6 1/2 165	4 3/4 121	1 7/8 48	13/16 21	21/32 17	19/32 18	3 5/16 84	1.5000 38.1	0.6260 15.9	1/2 14		SUC206 206-18 206-19 206-20	P206-TF	1.41
SUCP207-TF 207-20TF 207-21TF 207-22TF 207-23TF	1 1/4 1 5/16 1 3/8 1 7/16	35	1 7/8 47.6	6 9/16 167	5 127	1 7/8 48	13/16 21	21/32 17	5/8 16	3 21/32 93	1.6890 42.9	0.6890 17.5	1/2 14		SUC207 207-20 207-21 207-22 207-23	P207-TF	1.66
SUCP208-TF 208-24TF 208-25TF	1 1/2 1 9/16	40	1 15/16 49.2	7 1/4 184	5 13/32 137	2 1/8 54	13/16 21	21/32 17	21/32 17	3 27/32 98	1.9370 49.2	0.7480 19.0	1/2 14		SUC208 208-24 208-25	P208-TF	2.12
SUCP209-TF 209-26TF 209-27TF 209-28TF	1 5/8 1 11/16 1 3/4	45	2 1/8 54.0	7 15/32 190	5 3/4 146	2 1/8 54	13/16 21	21/32 17	21/32 17	4 3/16 106	1.9370 49.2	0.7480 19.0	1/2 14		SUC209 209-26 209-27 209-28	P209-TF	2.40
SUCP210-TF 210-30TF 210-31TF	1 7/8 1 15/16	50	2 1/4 57.2	8 1/8 206	6 1/4 159	2 3/8 60	7/8 22	25/32 20	3/4 19	4 7/16 113	2.0315 51.6	0.7480 19.0	5/8 16		SUC210 210-30 210-31	P210-TF	2.94
SUCP211-TF 211-32TF 211-34TF 211-35TF	2 2 1/8 2 3/16	55	2 1/2 63.5	8 5/8 219	6 23/32 171	2 3/8 60	7/8 22	25/32 20	3/4 19	4 29/32 125	2.1890 55.6	0.8740 22.2	5/8 16		SUC211 211-32 211-34 211-36	P211-TF	3.66
SUCP212-TF 212-36TF 212-38TF 212-39TF	2 1/4 2 3/8 2 7/16	60	2 3/4 69.8	9 1/2 241	7 1/4 184	2 3/4 70	1 25 25	25/32 20	7/8 22	5 7/16 138	2.5630 65.1	1.0000 25.4	5/8 16		SUC212 212-36 212-38 212-39	P212-TF	5.15