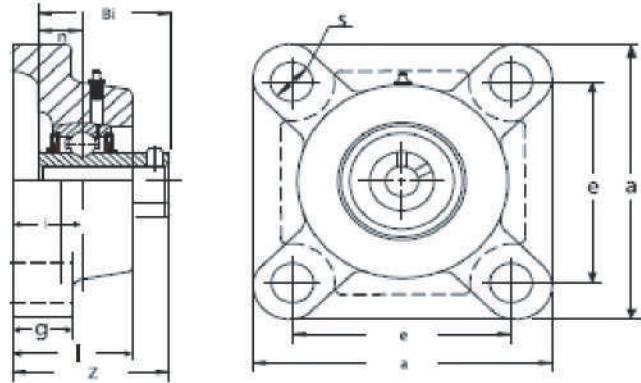


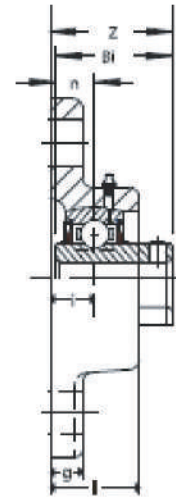
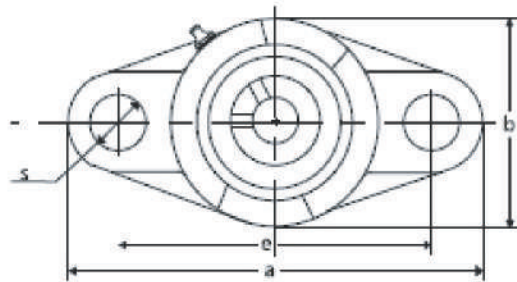
Flange Units SUCF200 SERIES



Material : Housing-Stainless Steel AISI304C
 Bearing-Stainless Steel AISI440C

Unit NO.	Shaft Dia.		Dimension (in/mm)										Bolt Used		Bearing NO.	Housing NO.	Weight kg.
	In	mm	a	e	i	g	l	s	z	Bi	n	t	In	mm			
SUCF201 201-8 202 202-10 203 204 204-12	1/2 5/8 3/4	12 15 17 20	3 3/8 88	2 33/64 64	19/32 15	15/32 12	1 25.5	15/32 12	1 5/16 33.3	1.2205 31.0	0.5000 12.7	1 15/32 37.0	3/8 10	10	SUC201 201-8 202 202-10 203 204 204-12	SF204	0.65
SUCF205 205-14 205-15 205-16	7/8 15/16 1	25	3 3/4 95	2 3/4 70	5/8 16	9/16 14	1 1/16 27	15/32 12	1 13/32 35.8	1.3425 34.1	0.5630 14.3	1 9/16 39.5	3/8 10	10	SUC205 205-14 205-15 205-16	SF205	0.85
SUCF206 206-18 206-19 206-20	1 1/8 1 3/16 1 1/4	30	4 1/4 108	3 17/64 83	45/64 18	9/16 14	1 7/32 31	15/32 12	1 37/64 40.2	1.5000 38.1	0.6260 15.9	1 23/32 44.0	3/8 10	10	SUC206 206-18 206-19 206-20	SF206	1.15
SUCF207 207-20 207-21 207-22 207-23	1 1/4 1 5/16 1 3/8 1 7/16	35	4 19/32 117	3 5/8 92	3/4 19	5/8 16	1 11/32 34	35/64 14	1 3/4 44.4	1.6890 42.9	0.6890 17.5	1 29/32 48.5	7/16 12	12	SUC207 207-20 207-21 207-22 207-23	SF207	1.60
SUCF208 208-24 208-25	1 1/2 1 9/16	40	5 1/8 130	4 1/64 102	53/64 21	5/8 16	1 13/32 36	5/8 16	2 1/64 51.2	1.9370 49.2	0.7480 19.0	2 5/32 55.0	1/2 14	14	SUC208 208-24 208-25	SF208	2.05
SUCF209 209-26 209-27 209-28	1 5/8 1 11/16 1 3/4	45	5 13/32 137	4 9/64 105	55/64 22	23/32 16	1 1/2 38	5/8 16	2 1/16 52.2	1.9370 49.2	0.7480 19.0	2 7/32 56.0	1/2 14	14	SUC209 209-26 209-27 209-28	SF209	2.38
SUCF210 210-30 210-31	1 7/8 1 15/16	50	5 5/8 143	4 3/8 111	55/64 22	23/32 18	1 9/16 40	5/8 16	2 5/32 54.6	2.0315 51.6	0.7480 19.0	2 5/16 58.5	1/2 14	14	SUC210 210-30 210-31	SF210	2.50
SUCF211 211-32 211-34 211-35	2 2 1/8 2 3/16	55	6 3/8 162	5 1/8 130	63/64 25	25/32 20	1 11/16 43	3/4 19	2 19/64 58.4	2.1890 55.6	0.8740 22.2	2 15/32 62.5	5/8 16	16	SUC211 211-32 211-34 211-35	SF211	3.60
SUCF212 212-36 212-38 212-39	2 1/4 2 3/8 2 7/16	60	6 7/8 175	5 5/8 143	1 9/64 29	25/23 20	1 7/8 48	3/4 19	2 45/64 68.7	2.5830 65.1	1.0000 25.4	2 7/8 73.0	5/8 16	16	SUC212 212-36 212-38 212-39	SF212	5.15

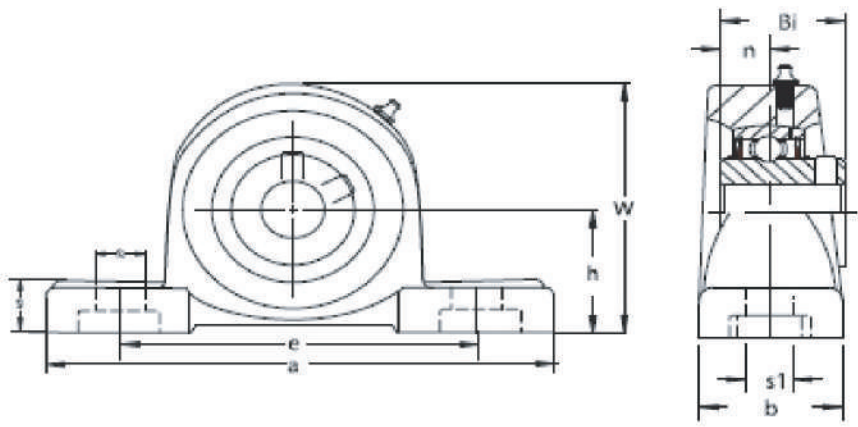
Flange Units SUCFL200 SERIES



■ Material : Housing-Stainless Steel AISI304C
 Bearing-Stainless Steel AISI440C

UNIT NO.	Shaft Dia.		Dimension (in) (mm)											Bolt Used		BEARING NO.	HOUSING NO.	Weight kg.		
	In	mm	a	e	i	g	l	s	b	z	Bi	n	t	in	mm					
SUCFL201 201-8 202 202-10 203 204 204-12	1/2 5/8 3/4	12 15 17 20																SUC201 201-8 202 202-10 203 204 204-12	SFL204	0.50
SUCFL205 205-14 205-15 205-16	7/8 15/16 1	25	5 1/8 130	3 57/64 99	5/8 16	1/2 13	1 1/16 27	5/8 16	2 11/16 68	1 15/32 35.7	1.3425 34.1	0.5630 14.3	1 9/16 39.5	1/2	14		SUC205 205-14 205-15 205-16	SFL205	0.70	
SUCFL206 206-18 206-19 206-20	1 1/8 1 3/16 1 1/4	30	5 13/16 148	4 39/64 117	45/64 18	1/2 13	1 7/32 31	5/8 16	3 5/32 80	1 37/64 40.2	1.5000 38.1	0.6260 15.9	1 23/32 44.0	1/2	14		SUC206 206-18 206-19 206-20	SFL206	0.98	
SUCFL207 207-20 207-21 207-22 207-23	1 1/4 1 5/16 1 3/8 1 7/16	35	6 11/32 161	5 1/8 130	3/4 19	9/16 14	1 11/32 34	5/8 16	3 17/32 90	1 3/4 44.4	1.6890 42.9	0.6890 17.5	1 29/32 48.5	1/2	14		SUC207 207-20 207-21 207-22 207-23	SFL207	1.35	
SUCFL208 208-24 208-25	1 1/2 1 9/16	40	6 7/8 175	5 43/64 144	53/64 21	9/16 14	1 13/32 36	5/8 16	3 15/16 100	2 1/64 51.2	1.9370 49.2	0.7480 19.0	2 5/32 55.0	1/2	14		SUC208 208-24 208-25	SFL208	1.69	
SUCFL209 209-26 209-27 209-28	1 5/8 1 11/16 1 3/4	45	7 13/32 188	5 53/64 148	55/64 22	19/32 15	1 1/2 38	3/4 19	4 1/4 108	2 1/16 52.2	1.9370 49.2	0.7480 19.0	2 7/32 56.0	5/8	16		SUC209 209-26 209-27 209-28	SFL209	2.04	
SUCFL210 210-30 210-31	1 7/8 1 15/16	50	7 3/4 197	6 3/16 157	55/64 22	19/32 15	1 9/16 40	3/4 19	4 17/32 115	2 5/32 54.6	2.0315 51.6	0.7480 19.0	2 5/16 58.5	5/8	16		SUC210 210-30 210-31	SFL210	2.30	
SUCFL211 211-32 211-34 211-35	2 2 1/8 2 3/16	55	8 13/16 224	7 1/4 184	63/64 25	23/32 18	1 11/16 43	3/4 19	5 1/8 130	2 19/64 58.4	2.1890 55.6	0.8740 22.2	2 15/32 62.5	5/8	16		SUC211 211-32 211-34 211-35	SFL211	3.30	
SUCFL212 212-36 212-38 212-39	2 1/4 2 3/8 2 7/16	60	9 27/32 250	7 61/64 202	1 9/64 29	23/32 18	1 7/8 48	29/32 23	5 1/2 140	2 45/64 68.7	2.5630 65.1	1.0000 25.4	2 7/8 73.0	3/4	20		SUC212 212-36 212-38 212-39	SFL212	4.30	

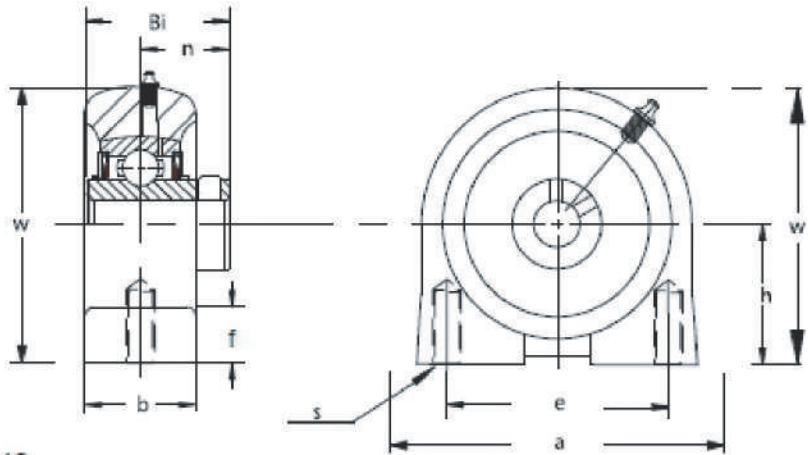
Pillow Blocks SUCP200 SERIES



Material : Housing-Stainless Steel AISI304C
 Bearing-Stainless Steel AISI440C

Unit NO.	Shaft Dia.		Dimensions ⁽ⁱⁿ⁾ _(mm)										Bolt Used		Bearing NO.	Housing NO.	Weight kg.
	In	mm	h	a	e	b	S2	S1	g	w	Bi	n	in	mm			
SUCP201 201-8 202 202-10 203	1/2 5/8	12 15 17	1 3/16 30.2	5 127	3 3/4 95	1 1/2 38	3/4 19	1/2 13	15/32 12	2 3/8 60	1.2205 31.0	0.7205 12.7	3/8 10	10	SUC201 201-8 202 202-10 203	SP203	0.78
SUCP204 204-12	3/4	20	1 5/16 33.3	5 127	3 3/4 95	1 1/2 38	3/4 19	1/2 13	1/2 13	2 17/32 64.3	1.2205 31.0	0.7205 12.7	3/8 10	10	SUC204 204-12	SP204	0.66
SUCP205 205-14 205-15 205-16	7/8 15/16 1	25	1 7/16 36.5	5 1/2 140	4 1/8 105	1 1/2 38	3/4 19	1/2 13	1/2 13	2 25/32 71	1.3386 34.1	0.5630 14.3	3/8 10	10	SUC205 205-14 205-15 205-16	SP205	0.86
SUCP206 206-18 206-19 206-20	1 1/8 1 3/16 1 1/4	30	1 11/16 42.9	6 1/2 165	4 3/4 121	1 7/8 48	13/16 21	21/32 17	19/32 16	3 5/16 84	1.5000 38.1	0.6260 15.9	1/2 14	14	SUC206 206-18 206-19 206-20	SP206	1.41
SUCP207 207-20 207-21 207-22 207-23	1 1/4 1 5/16 1 3/8 1 7/16	35	1 7/8 47.6	6 9/16 167	5 127	1 7/8 48	13/16 21	21/32 17	5/8 16	3 21/32 93	1.6890 42.9	0.6890 17.5	1/2 14	14	SUC207 207-20 207-21 207-22 207-23	SP207	1.66
SUCP208 208-24 208-25	1 1/2 1 9/16	40	1 15/16 49.2	7 1/4 184	5 13/32 137	2 1/8 54	13/16 21	21/32 17	21/32 17	3 27/32 98	1.9370 49.2	0.7480 19.0	1/2 14	14	SUC208 208-24 208-25	SP208	2.12
SUCP209 209-26 209-27 209-28	1 5/8 1 11/16 1 3/4	45	2 1/8 54.0	7 15/32 190	5 3/4 146	2 1/8 54	13/16 21	21/32 17	21/32 17	4 3/16 106	1.9370 49.2	0.7480 19.0	1/2 14	14	SUC209 209-26 209-27 209-28	SP209	2.40
SUCP210 210-30 210-31	1 7/8 1 15/16	50	2 1/4 57.2	8 1/8 206	6 1/4 159	2 3/8 60	7/8 22	25/32 20	3/4 19	4 7/16 113	2.0315 51.6	0.7480 19.0	5/8 16	16	SUC210 210-30 210-31	SP210	2.94
SUCP211 211-32 211-34 211-35	2 2 1/8 2 3/16	55	2 1/2 63.5	8 5/8 219	6 23/32 171	2 3/8 60	7/8 22	25/32 20	3/4 19	4 29/32 125	2.1890 56.6	0.8740 22.2	5/8 16	16	SUC211 211-32 211-34 211-35	SP211	3.66
SUCP212 212-36 212-38 212-39	2 1/4 2 3/8 2 7/16	60	2 3/4 69.8	9 1/2 241	7 1/4 184	2 3/4 70	1 25	25/32 20	7/8 22	6 7/16 138	2.5630 65.1	1.0000 25.4	5/8 16	16	SUC212 212-36 212-38 212-39	SP212	5.15

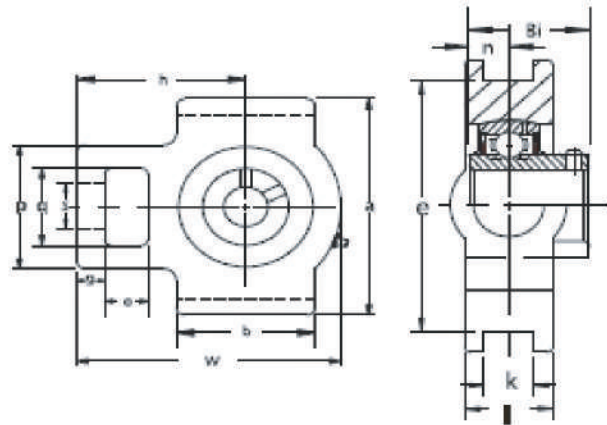
Pillow Blocks SUCPA200 SERIES



- Material : Housing-Stainless Steel AISI304C
Bearing-Stainless Steel AISI440C

UNIT NO.	Shaft Dia.		Dimension (in) (mm)										BEARING NO.	HOUSING NO.	Weight kg.
	In	mm	h	a	e	b	g	w	f	t	Bi	n			
SUCPA201 201-8 202 202-10 203 204 204-12	1/2 5/8 3/4	12 15 17 20											SUC201 201-8 202 202-10 203 204 204-12	SPA204	0.70
SUCPA205 205-14 205-15 205-16	7/8 15/16 1	25	1 7/16 38.5	3 5/16 84	2 7/32 58	1 25/32 45	15/32 12	2 27/32 72	19/32 15	W3/8 10	1.3386 34.0	0.5630 14.3	SUC205 205-14 205-15 205-16	SPA205	0.81
SUCPA206 206-18 206-19 206-20	1 1/8 1 3/16	30	1 11/16 42.9	3 11/16 94	2 19/32 66	1 31/32 50	15/32 12	3 5/16 84	23/32 18	W1/2 1/4	1.5000 38.1	0.6260 15.9	SUC206 206-18 206-19 206-20	SPA206	1.25
SUCPA207 207-20 207-21 207-22 207-23	1 1/4 1 5/16 1 3/8 1 7/16	35	1 7/8 47.6	4 11/32 110	3 5/32 80	2 5/32 55	1/2 13	3 3/4 95	25/32 20	W1/2 1/4	1.6890 42.9	0.6890 17.5	SUC207 207-20 207-21 207-22 207-23	SPA207	1.70
SUCPA208 208-24 208-25	1 1/2 1 9/16	40	1 15/16 49.2	4 9/16 116	3 5/16 84	2 9/32 58	1/2 13	3 15/16 100	25/32 20	W1/2 14	1.9370 49.2	0.7480 19.0	SUC208 208-24 208-25	SPA208	2.00
SUCPA209 209-26 209-27 209-28	1 5/8 1 11/16 1 3/4	45	2 1/8 54.2	4 23/32 120	3 17/32 90	2 3/8 60	1/2 13	4 1/4 108	1 25	W1/2 14	1.9370 49.2	0.7480 19.0	SUC209 209-26 209-27 209-28	SPA209	2.30
SUCPA210 210-30 210-31	1 7/8 1 15/16	50	2 1/4 57.2	5 1/8 130	3 11/16 94	2 17/32 64	9/16 14	4 9/16 116	1 25	W5/8 16	2.0315 51.6	0.7480 19.0	SUC210 210-30 210-31	SPA210	2.90

Take-up Units SUCT200, SUCST200 SERIES



■ Material : Housing-Stainless Steel AISI340C
Bearing-Stainless Steel AISI440C

UNIT NO.	Shaft Dia.		Dimension (in) (mm)														BEARING NO.	HOUSING NO.	Weight kg.	
	In	mm	o	g	p	q	s	b	k	e	a	w	j	L	h	Bi				n
SUCT 201 SUCST201-8 SUCT 202 SUCST202-10 SUCT 203 204 SUCST204-12	1/2 5/8 3/4	12 15 20																SUC201 201-8 202 202-10 203 204 204-12	SST204 ST204	0.80
SUCT 205 SUCST205-14 205-15 205-16	7/8 15/16 1	25																SUC205 205-14 205-15 205-16	SST205 ST205	0.86
SUCT 206 SUCST206-18 206-19 206-20	1 1/8 1 3/16	30																SUC206 206-18 206-19 206-20	SST206 ST206	1.28
SUCT 207 SUCST207-20 207-21 207-22 207-23	1 1/4 1 5/16 1 3/8 1 7/16	35																SUC207 207-20 207-21 207-22 207-23	SST207 ST207	1.68
SUCT 208 SUCST208-24 208-25	1 1/2 1 9/16	40																SUC208 208-24 208-25	SST208 ST208	2.42
SUCT 209 SUCST209-26 209-27 209-28	1 5/8 1 11/16 1 3/4	45																SUC209 209-26 209-27 209-28	SST209 ST209	2.52
SUCT 210 SUCST210-30 210-31	1 7/8 1 15/16	50																SUC210 210-30 210-31	SST210 ST210	2.75
SUCT 211 SUCST211-32 211-34 211-35	2 2 1/8 2 3/16	55																SUC211 211-32 211-34 211-35	SST211 ST211	4.10
SUCT 212 SUCST212-36 212-38 212-39	2 1/4 2 3/8 2 7/16	60																SUC212 212-36 212-38 212-39	SST212 ST212	5.20